

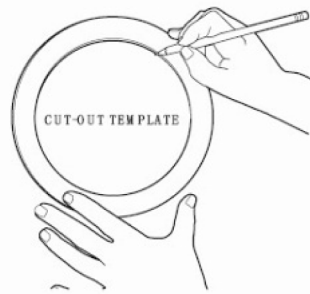
PREPARING THE LOCATION

To mount your speaker, you need the following items (not supplied, available at electronics stores):

- Gyprock/plaster or keyhole saw
- Phillips screwdriver
- 16-20 gauge speaker wire (NAS Model # SPD250, 0.75mm²)
- Wire stripper
- Pencil or marker

1. Be sure the mounting surface is between 10mm (3/8") and 25mm (1") thick, with at least a 69mm (2 3/4") clearance behind the mounting surface. There should be no wall studs or other objects blocking the back of the speaker.

2. Cut the circular-shaped template out from the card supplied, then trace around the template using a pencil/marker to mark the hole to be cut out from the mounting location.



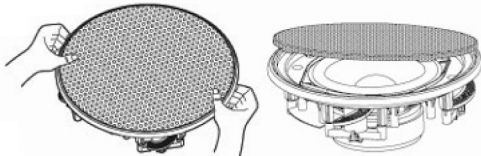
3. Use a plaster or keyhole saw to cut the hole.

PREPARING THE SPEAKER

If you choose to paint the frame and grille, paint them and let them dry before you connect the speaker wire or mount the speaker.

To remove the grille for painting, use the grille remover provided.

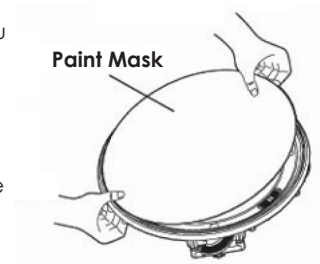
Alternatively, if your grille remover is misplaced;



insert a paperclip into one of the grille openings then pull up, or; carefully twist the plastic frame back-and-forth until the grille edge becomes exposed then lift the grille to remove it.

Carefully remove the dust cloth from behind the grille and replace it after you are finished painting.

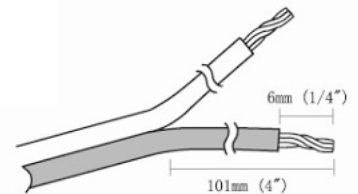
Before painting the speaker frame (to prevent paint from entering the speaker) remove the grille and insert the supplied cardboard paint mask. Once paint is dry, remove the paint mask and replace the grille.



CONNECTING THE SPEAKER WIRES

NAS sells a wide selection of speaker wire. We recommend you use wire that is colour-coded or marked on one side to help you connect the wire correctly and maintain phase.

1. Route the speaker wire to the speaker from the receiver.
2. Separate about 101mm (4") of speaker wire at each end.
3. Using a wire stripper, remove about 6mm (1/4") of insulation from each wire. Twist the ends of each wire.



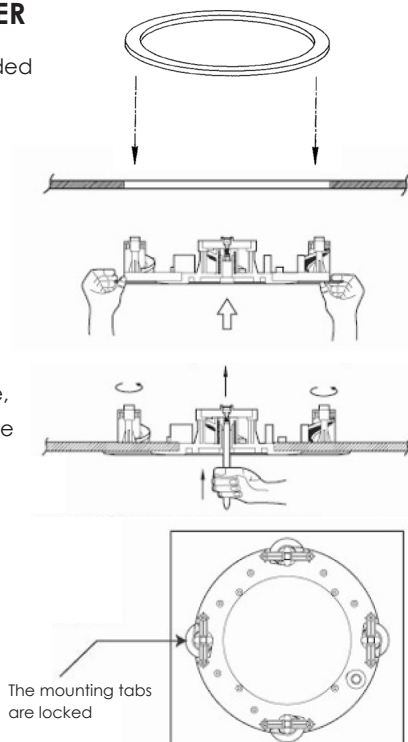
4. Connect the marked wire to a red speaker terminal by pressing the release tab. Repeat this procedure to connect the unmarked wire to the black terminal.
5. Connect the marked wire coming from the speaker to the left channel of the receivers positive (+) terminal. Connect the unmarked wire to the left channel of the amplifiers negative (-) terminal.

MOUNTING THE SPEAKER

1. Use the grille remover provided to remove the grille, put the speaker in the cut-out hole. (The allowed thickness of the ceiling: 10mm-25mm)

2. Use the thin end of the L-shaped wrench provided to install the speaker. Push upward, the mounting tabs should rotate 180° clockwise, the speaker will fix itself to the installation location. If you don't have the plastic L-shaped wrench, use the 6mm (1/4") hexagon wrench.

3. The mounting tabs will be locked as per the picture.

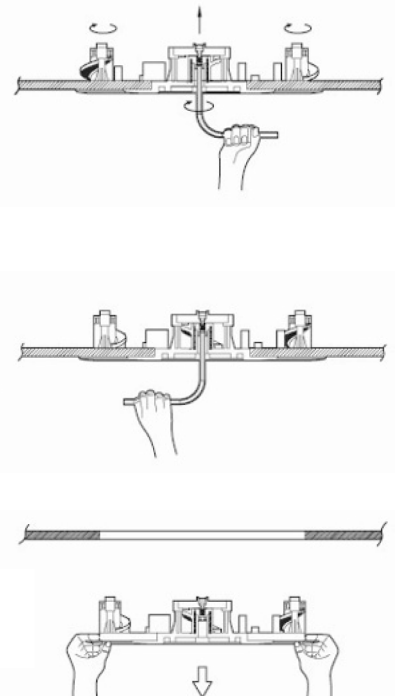


TO REMOVE THE SPEAKER

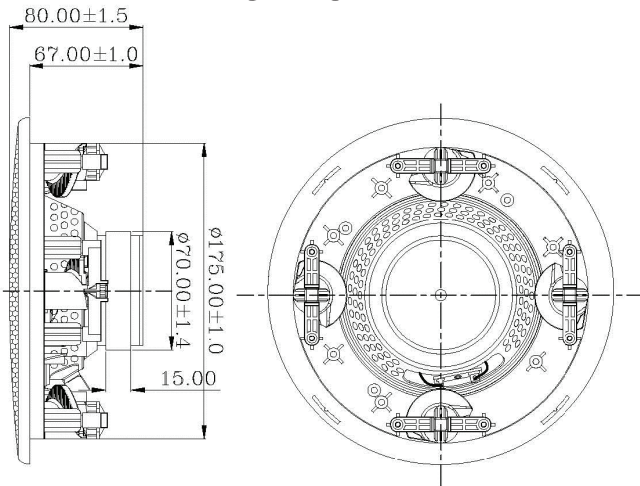
1. Use the thick end of the L-shaped wrench. Turn the wrench counter-clockwise and the mounting tabs will rotate at the same time; keep turning the wrench counter-clockwise until the mounting tabs unlock with a click.

2. The mounting tabs should now be open and the speaker will be removable from the mounting location.

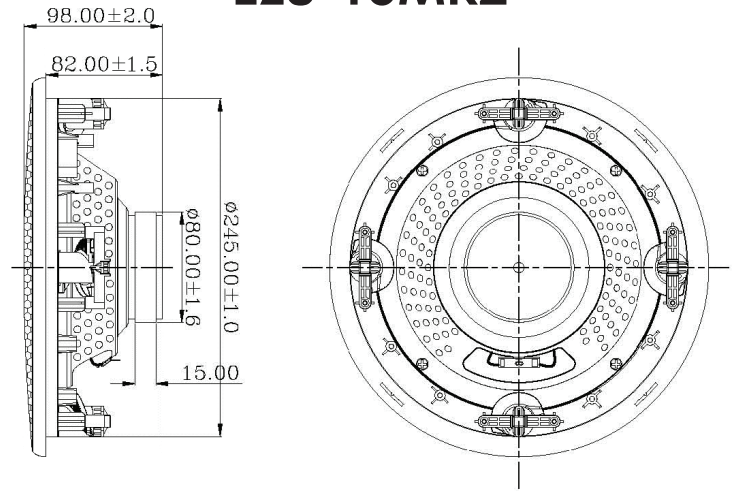
3. Remove the speaker from the mounting location.



EZ5-10MK2

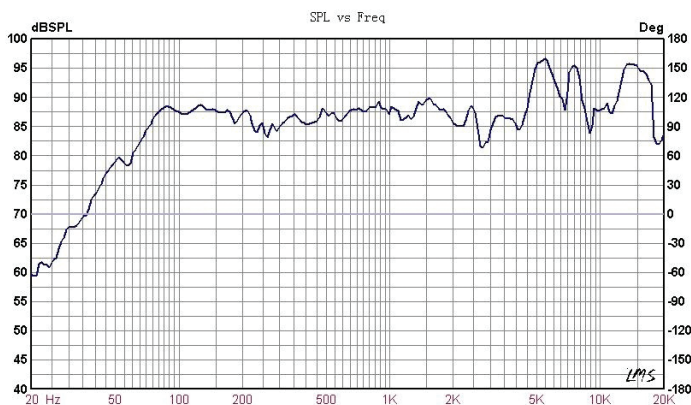


EZ8-15MK2



SPECIFICATIONS	EZ5-10MK2	EZ8-15MK2
Impedance	8ohms	
Speaker Size	5 - 1/4" 133.35mm	8" 203.2mm
SPL 1W @ 1m	87dB	88dB
Freq Response ± 5dB	55Hz - 20kHz	50Hz - 20kHz
Transformer Taps	10W, 5W, 2.5W, 1.25W 8ohm at 20W RMS	15W, 10W, 5W, 2.5W, 1.25W 8ohm at 30W RMS
Cold Test	-25° ± 3° C 16H	
Heat Test	70° ± 3° C 16H	
Connection	4 Pin Connector for Speaker Line In/Out 5 Jumper Setting for 5 Wattage Selection	4 Pin Connector for Speaker Line In/Out 6 Jumper Setting for 6 Wattage Selection
Weight	1kg	1.5kg
Mid Range	Paper Cone	
Tweeter	13mm PEI Dome Tweeter	

EZ5-10MK2



EZ8-15MK2

