

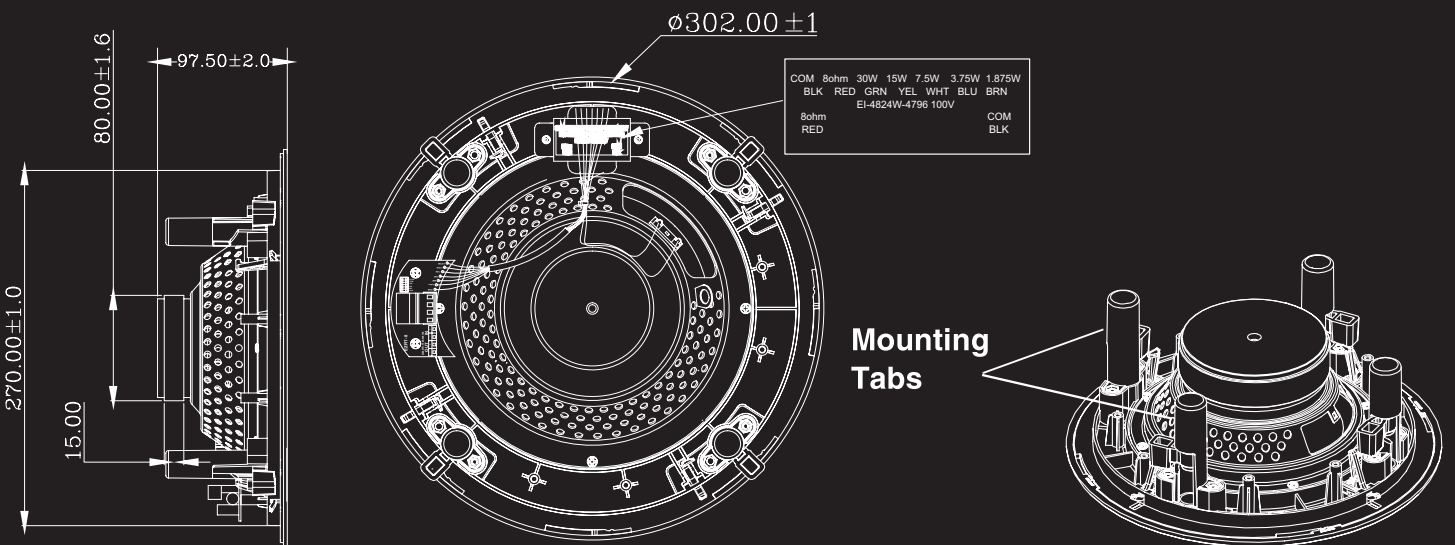
## DESCRIPTION

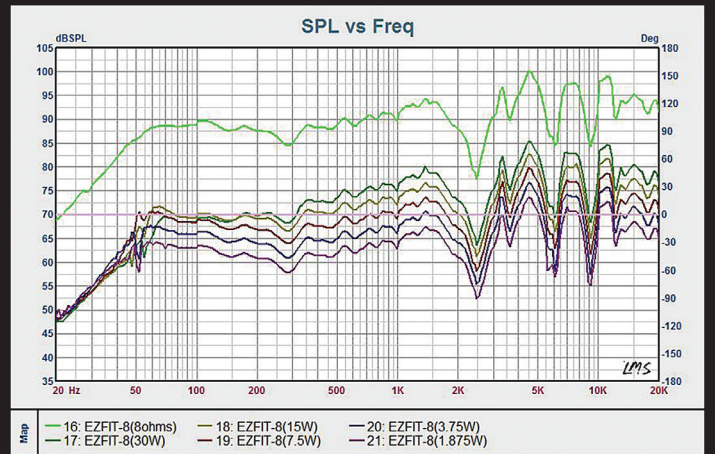
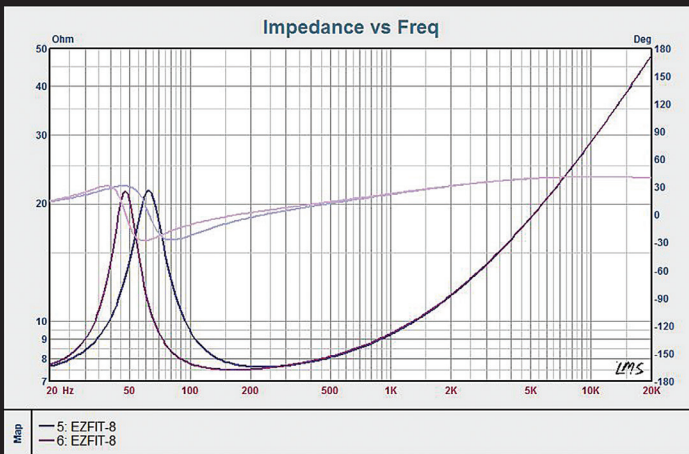
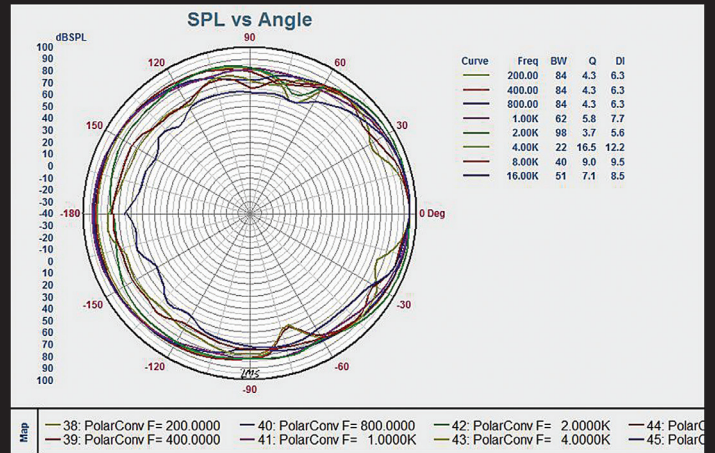
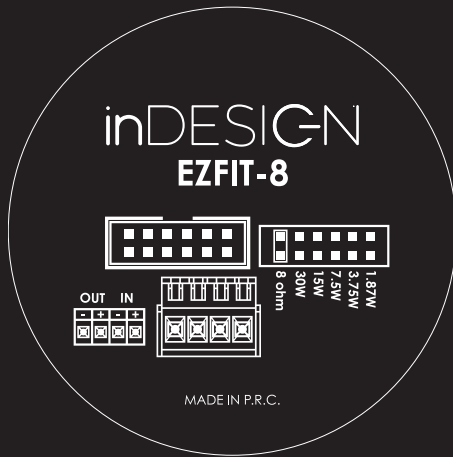
The EZFIT-8 ceiling speaker consists of a coaxial driver, frameless magnetic grill, and tool-less installation. It is the quickest ceiling speaker to install on the market.

The EZFIT-8 ceiling speaker is the cost-effective choice for BGM, Paging and EVAC purposes. Recommended for function rooms, school halls, retail spaces, boardrooms, place of worship, RSL's, clubs, pubs, restaurants, and many other commercial applications. Each model also features a supervisory capacitor as standard to allow for evacuation system integration.

## FEATURES

- EZFIT installation - install in under 2 minutes!
- 2 way 8" & 0.5" high efficiency coaxial driver
- 100 volt line transformer fitted as standard
- EZFIT quick connect Euro block
- EZFIT Tapping jumpers
- Evac capacitor fitted as standard
- EZFIT white frameless magnetic grille system
- Black grille and EZFIT-8 tile bridge available as accessories





## SPECIFICATIONS

MODEL: EZFIT-8	
Mid/Hi driver dimensions	8" (203.2mm)
Tweeter dimensions	13mm PEI dome tweeter
Mid/Hi driver	Paper cone
Impedance	8 ohms
SPL 1W @ 1m	88dB
Frequency response $\pm 5$ dB	62Hz-20kHz
Transformer taps 100V	30W, 15W, 7.5W, 3.75W, 1.875W
Max power	30W RMS @ 8ohms
Operating temperature	$-25^{\circ} \pm 3^{\circ} \text{C}$ , 16H to $70^{\circ} \pm 3^{\circ} \text{C}$ , 16H
Speaker connection	4 PIN quick connect, 5.08mm Euro Block
Cut out diameter	270mm-272mm
Product dimensions	302L x 302W x 97.5D mm
Net Weight	1.93kg

**Disclaimer:** Instructions and specifications are correct at time of printing. Information within may be subject to change without notice.