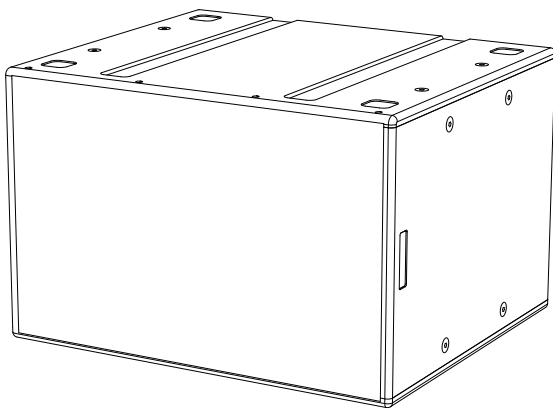
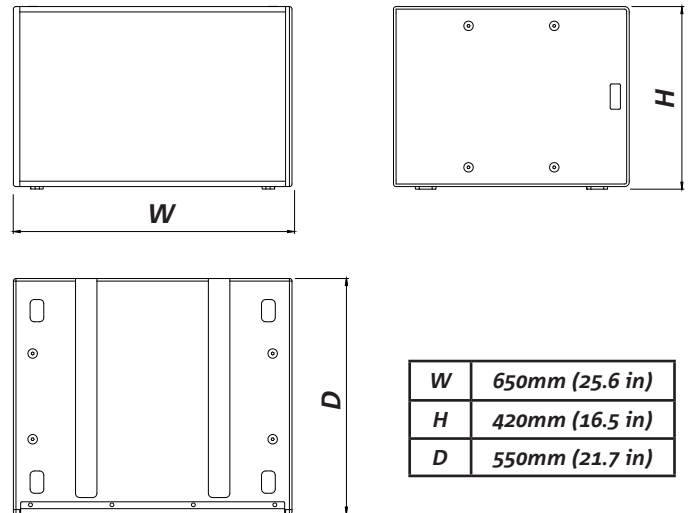


IS115S



DIMENSIONS



MAIN FEATURES

- Impressive sound pressure
- Quick installation
- Stack or flyable use

PACKAGE CONTENTS

The box contains:
 N°1 IS 115S subwoofer
 This quick start and warranty documentation

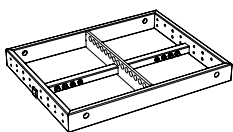
DESCRIPTION

IS115S is the new dB Technologies versatile passive subwoofer for professional use. It is equipped with one 15" ceramic woofer (4" voice coil) and it's just perfect as a complement for IS210L passive speaker. The mechanical design allows an easy, accurate and quick installation for stacked or flyable use thanks to the optional accessories.

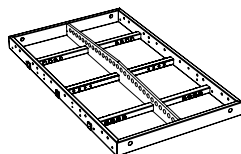
TECHNICAL SPECIFICATIONS

Speaker Type	Passive Subwoofer
Protection against solid objects and liquids (IP):	55
Frequency Response [-6dB]	42 Hz - Xover
Usable Bandwith [-10dB]	38 Hz - Xover
RMS Power	800 W
Rated impedance	8 Ohm
Max SPL (1 m)	133 dB (Fullrange)
LF	1x 15", 4" v.c.
Crossover Frequency	Required external processing
Signal Input	Terminal barrier strip (or speakON® using the SP-IS accessory panel)
Signal Output	Terminal barrier strip (or speakON® using the SP-IS accessory panel)
Housing	Wooden box - black finished
Rigging Points	8
Dimensions (WxHxD)	650x420x550 mm (25.6x16.5x21.7 in)
Weight	27.8 Kg (61 lbs.)

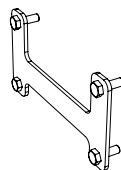
ACCESSORIES



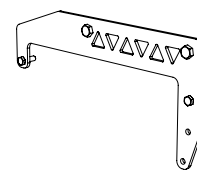
DRK-1
flybar for
stacked/flyable use



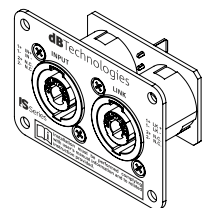
DRK-2
flybar for
stacked/flyable use



LP-4
bracket for
stacked/flyable use



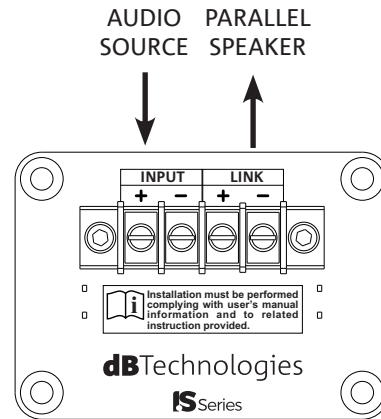
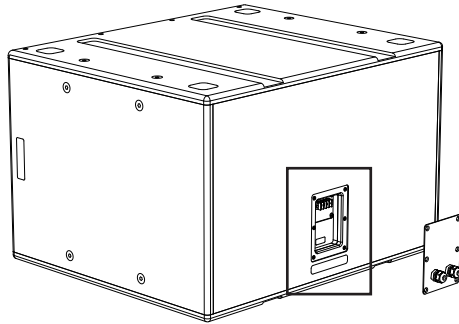
LP-6
bracket for
stacked/flyable use



SP-IS
speakON® panel

The warnings in this manual must be observed together with the "User Manual - Section 2".

CONNECTIONS



PROTECTION AGAINST SOLID OBJECTS AND LIQUIDS (IP RATING)

The speakers are protected against the ingress of solid objects and liquids with a rating of IP55 as defined by IEC 60529. Please only use cables with the specified diameters:

PG9 => between 4 and 8mm diameter

Fasten properly the cable gland using the plastic tightening nut.

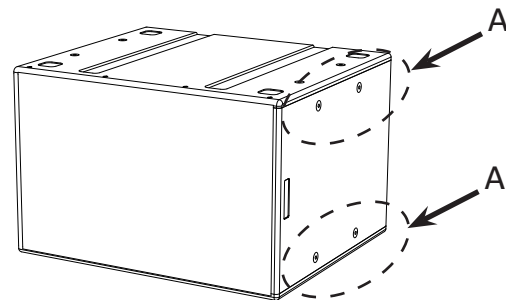
WARNING!

Failure to comply with these installation prescriptions could adversely affect the declared protection ratings.



MECHANICAL FIXING POINT

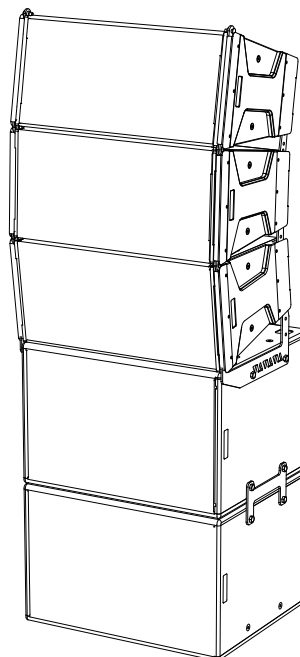
IS 115S can be installed in different configurations. For a quick installation, on both sides of the subwoofer the user can find mechanical fixing points for stand and flyable use (**A**).



CONFIGURATIONS

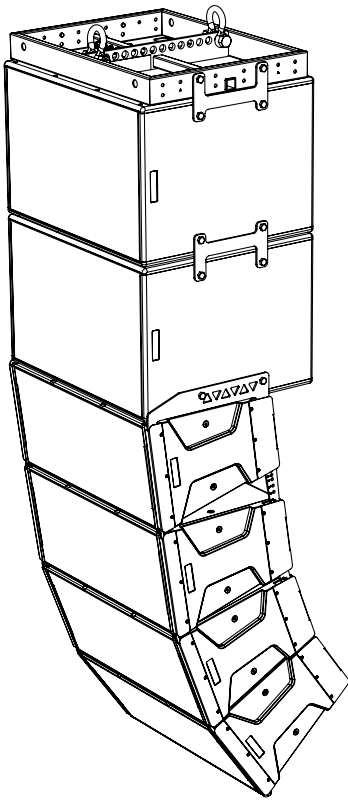
STACKED

IS115S
LP-4 bracket
LP-6 bracket
IS210L

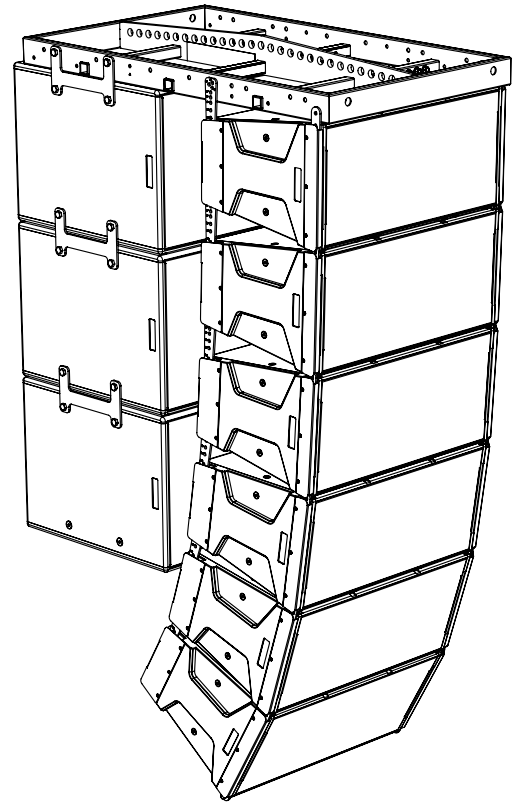


For further information regarding max loading and installation requirements, please refer to the accessories user manual.

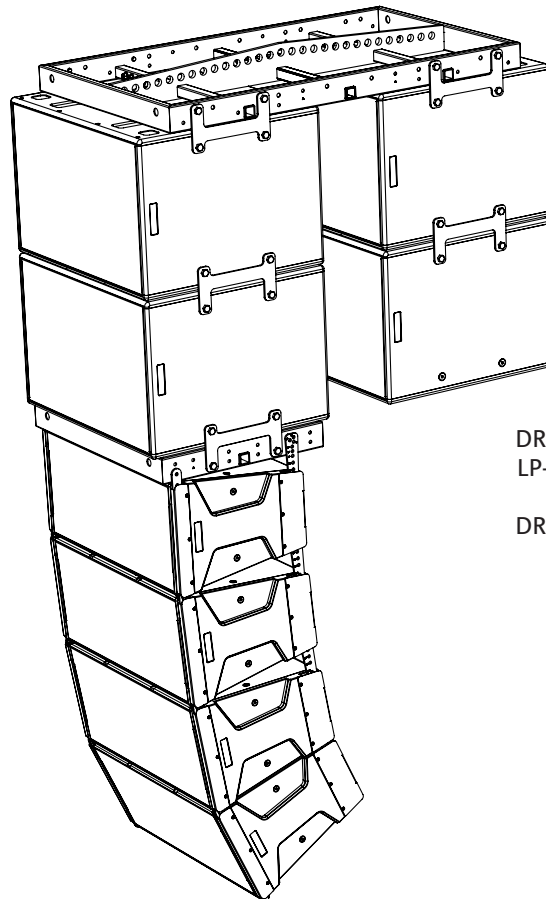
FLOWN



DRK-1 flybar
LP-4 bracket
IS115S
LP-6 bracket
IS210L



DRK-2 flybar
LP-4 bracket
IS115S
IS210L



DRK-2 flybar
LP-4 bracket
IS115S
DRK-1 flybar
IS210L

For further information regarding max loading and installation requirements, please refer to the accessories user manual.

WARNINGS



WARNING: Make sure that the loudspeaker is securely installed in a stable position to avoid any injuries or damages to persons or properties. For safety reasons do not place one loudspeaker on top of another without proper fastening systems. Before hanging the loudspeaker check all the components for damages, deformations, missing or damaged parts that may compromise safety during installation. If you use the loudspeakers outdoor avoid spots exposed to bad weather conditions. The external wiring connected to speaker output terminals requires installation by qualified personnel only. Once the equipment is installed, prevent access to the connectors to unqualified personnel. Only use the accessories and configurations described in this manual, and proceed in accordance with the instructions given in the manuals for the accessories. dBTechnologies will not accept any responsibility for damages caused by inappropriate accessories or additional devices.

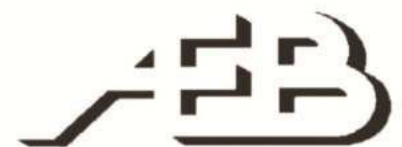
Installation and use of this equipment and its accessories must be performed only by "Expert personnel" according to safety standard. To prevent hazards to people, animals and/or objects, make sure that the installation is stable and secure. Comply with the safety regulations and laws in force in the country in which you use the product. For safe use, periodically check that all parts are in good working condition before use. Only authorised personnel may carry out design, calculations, installation, testing and maintenance of professional flown or stacked audio systems.

Check periodically the integrity and the functionality of the accessories and the technical equipments for a safe installation. user should never apply a load that exceeds the working load limits of any rigging components or equipment here presented. design, calculation, installation, testing and maintenance of suspension and stack systems for audio equipment must be performed only by qualified and authorized personnel. AEB Industriale s.r.l. denies any and all responsibility for improper installations, in the absence of safety requirements.

*Features, specification and appearance of products are subject to change without notice.
dBTechnologies reserves the right to make changes or improvements in design or manufacturing without assuming any obligation to change or improve products previously manufactured.*



*Scan with your
QR Reader App
to download the
complete User
Manual.*



A.E.B. Industriale Srl
Via Brodolini, 8
Località Crespellano
40053 VALSAMOGGIA
BOLOGNA (ITALIA)
Tel. +39 051 969870
Fax +39 051 969725

www.dbtechnologies.com
info@dbtechnologies-aeb.com