



LST SERIES

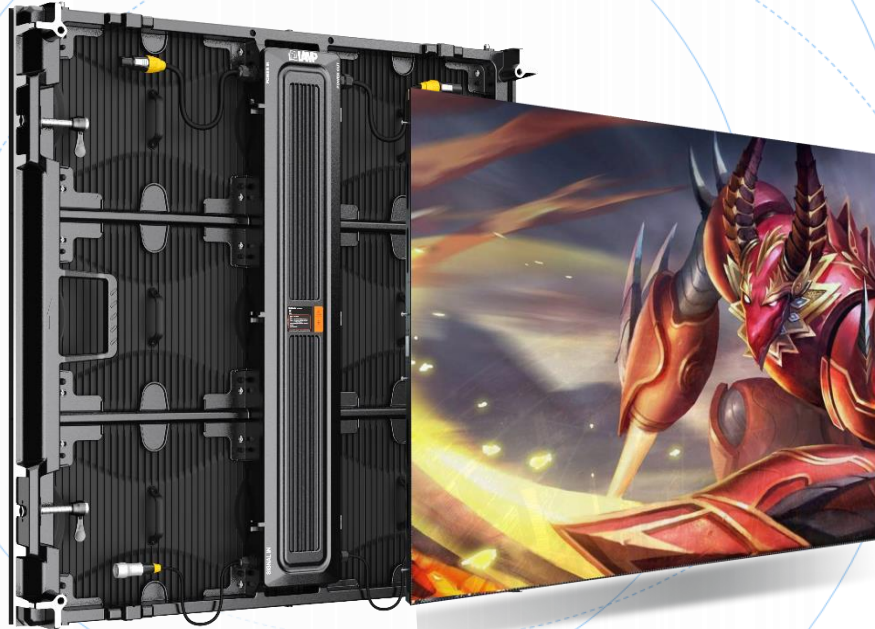
MAKE DOOH MORE GLORIOUS!



LAMP | LED DISPLAY
SHENZHEN LAMP TECHNOLOGY CO., LTD.

— Display a better world for all —

CONTENTS



1

Product Overview

2

Scope of Application

3

Product Features

4

Product Specification



PART 1

Products Overview

MAKE DOOH MORE GLORIOUS!

Product Overview



LST Series

LST6/LST8/LST10

01

High-density fixed products below P10mm

02

Rear maintenance and installation

03

Thin and light weight cabinet, IP66 rating (Front)

04

Wide application for DOOH

05

Die-casting aluminum for good flatness with 960X960mm



PART 2

Scope of Application

MAKE DOOH MORE GLORIOUS!

APPLICATION:

Fit for :

Commercial integrated mall

AIRPORTS

Public institution

Integrated public services

etc.





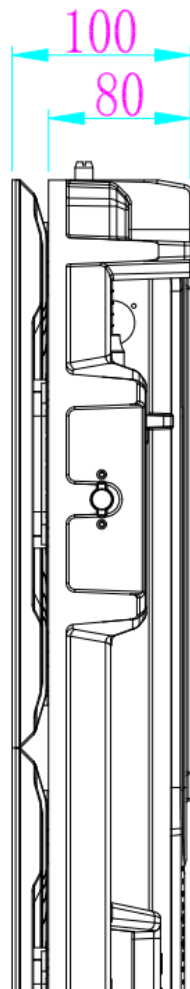
PART 3

Product Features

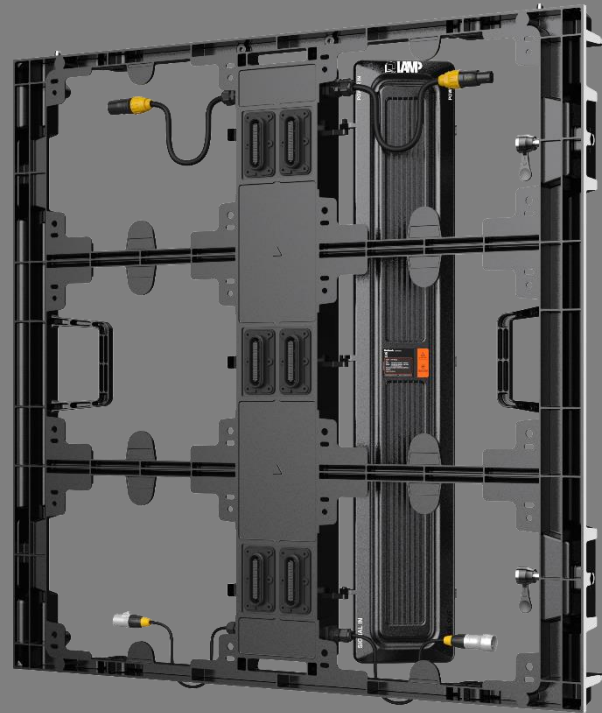
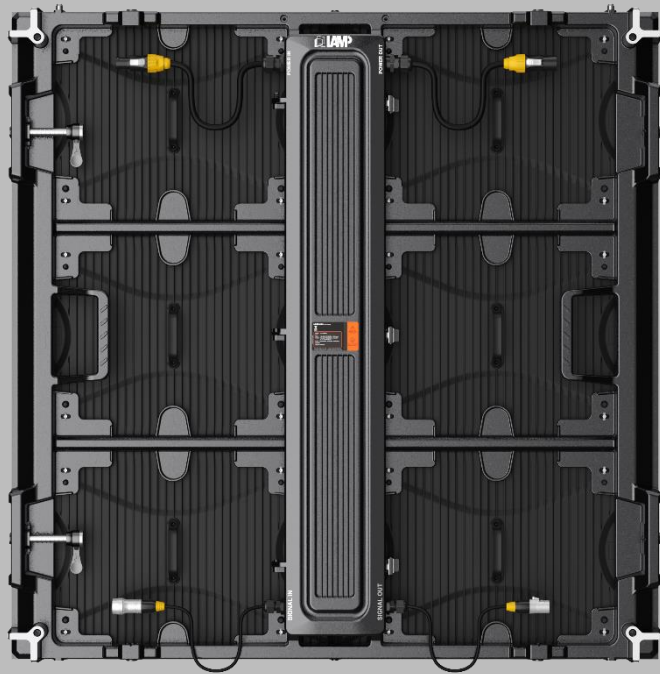
MAKE DOOH MORE GLORIOUS!

Lighter Thinner

- Die-casting aluminum
- The thickest part is about **100mm** with module
- The cabinet weight is $\leq 26.5\text{kg/m}^2$ (960x960*100mm)

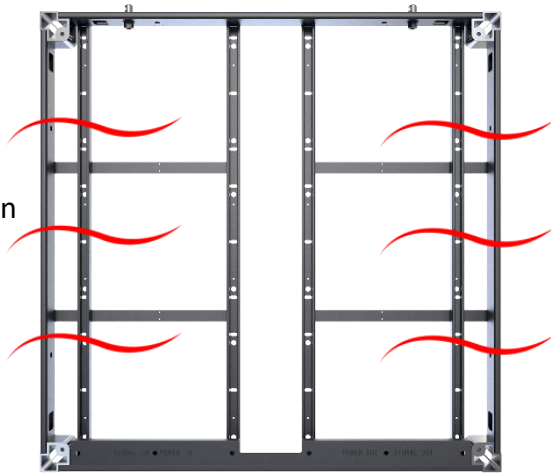


Die-casting Aluminum



GOOD HEAT DISSIPATION

- Fanless design
- Fully-hollowed cabinet design
- Big space for heat dissipation
- Die-casting design for module back shell



Thermal conductive adhesive



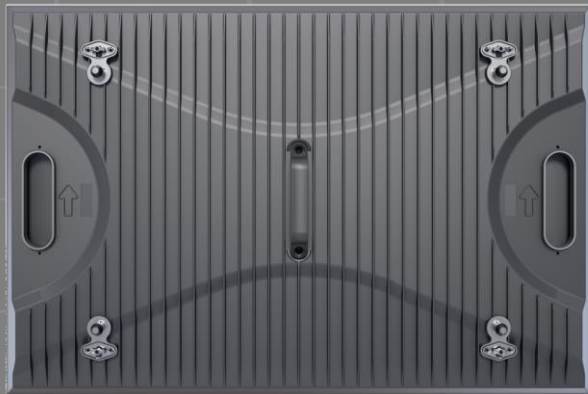
Waterproof

Front IP66

Rear IP65



Module



Module handler



4pcs knobs /module

01

Compatible for both right & left modules

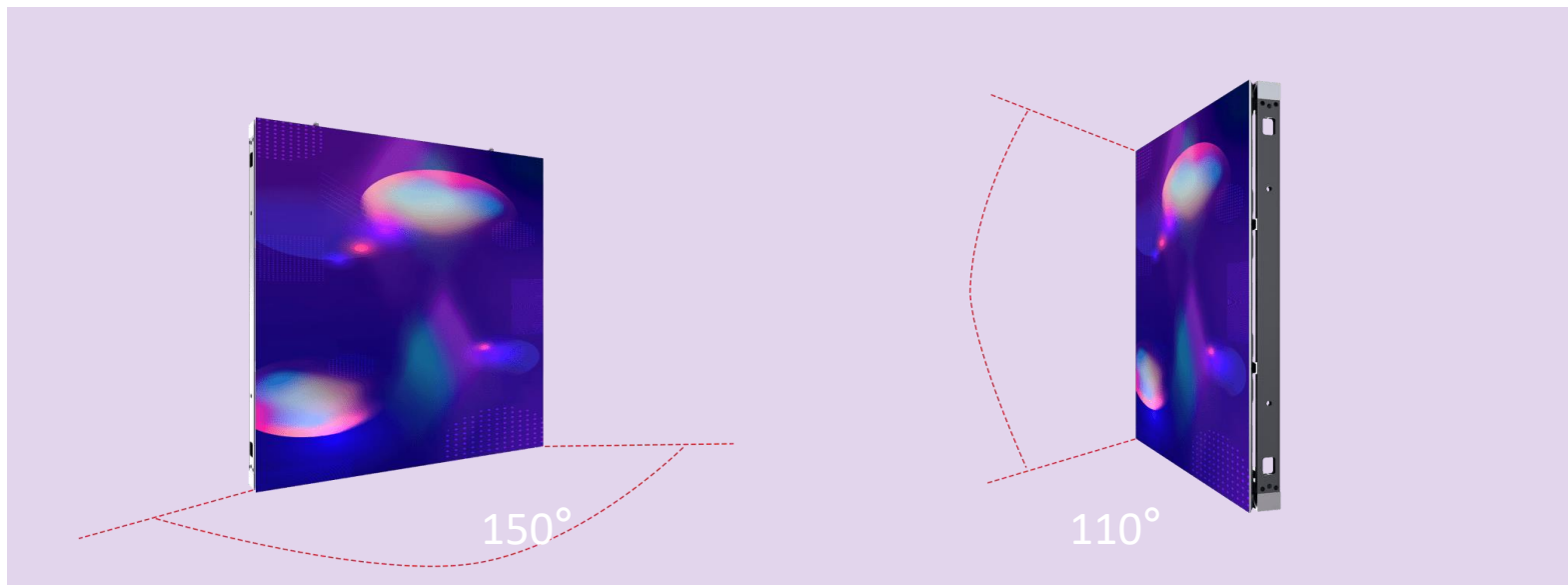
02

Fully-waterproof design

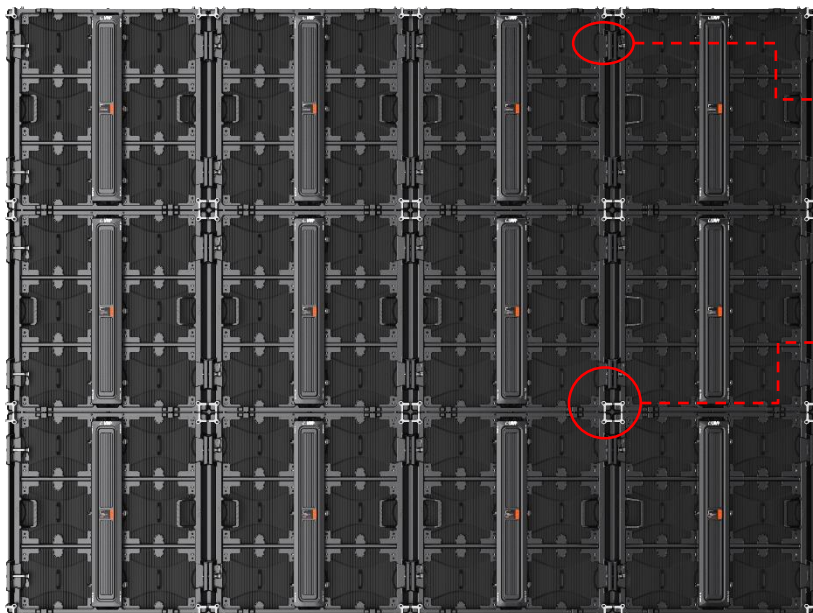
03

Elegant metal module back shell

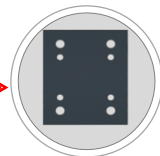
Viewing Angle



Viewing angle *H: 150°V: 110°* ; bigger angle to make sure better viewing experience



Connection screw



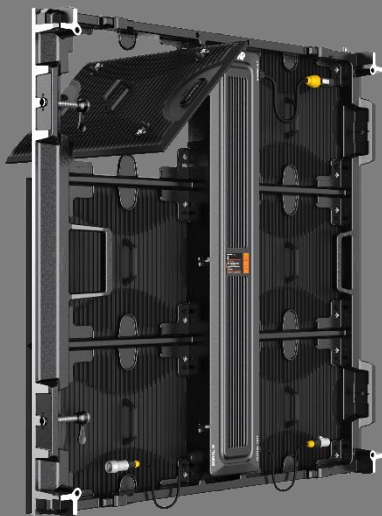
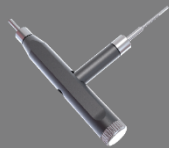
Connection plate

Faster Installation

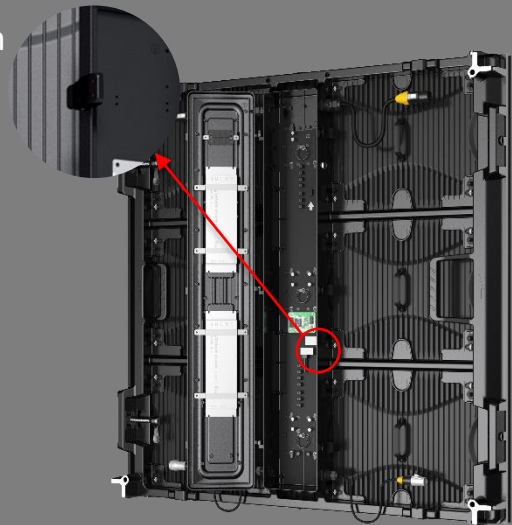
- Fast screw connection between cabinets.
- Connection plate for front/rear installation, structure drawings are available.

Rear Opening

Unlock module back
with professional tool,
disassemble module for
back maintenance.



Disconnect power, open
locks on back door, to
maintain power supply,
receiver & hub





PART 4

Product Specification

MAKE DOOH MORE GLORIOUS!

Parameter		LST6	LST8	LST10
Physical Parameter	Pixel Configuration	SMD2727	SMD3535	SMD3535
	Pixel Pitch (mm)	6.67	8	10
	Pixel matrix per module	72X48	60x40	48X32
	Pixel density (pixels/sq.m.)	22500	15625	10000
	Cabinet Dimensions (WxH)/ (mm)	960x960	960x960	960x960
	Module Dimensions (WxH)/ (mm)	480X320	480X320	480X320
	Cabinet weight (kg/m ²)		26.5	
Electronic Parameter	Color Grayscale (Bit)	14	14	14
	Gray Scale per Color (level)	16384	16384	16384
	Refresh Rate (Hz)	2880	3840	3840
	Driving Type	1/6	1/4	1/2
	Signal Transmission Distance (m)	CAT5 cable: < 100 m; Single mode fiber: < 10 km	CAT5 cable: < 100 m; Single mode fiber: < 10 km	CAT5 cable: < 100 m; Single mode fiber: < 10 km
Optical Parameter	Brightness (nits)	5500	6000	6000
	Optimal Horizontal Viewing Angle (°)	140	150	150
	Optimal Vertical Viewing Angle (°)	120	110	110
Electrical Parameter	Contrast ratio	6200:1	10000:1	15000:1
	AC Input Voltage (V)	AC: 100V ~ 240V	AC: 100V ~ 240V	AC: 100V ~ 240V
	AC Input Power Maximum Value (W/m ²)	580	630	600
	AC Input Power Typical Value (W/m ²)	190	210	200
Circumstance Parameter	Storage Temperature (°C)	-40-60	-40-60	-40-60
	Working Temperature (°C)	-20-50	-20-50	-20-50
	IP rating (Front/Rear)	IP66	IP66	IP66
	Storage Humidity (RH)	10%~90% non-condensing	10%~90% non-condensing	10%~90% non-condensing
	Working Humidity (RH)	10%~90% non-condensing	10%~90% non-condensing	10%~90% non-condensing
	Lifetime Typical Value (hrs)	100000	100000	100000
	Installation	Cabinet installation	fix	fix



Head office

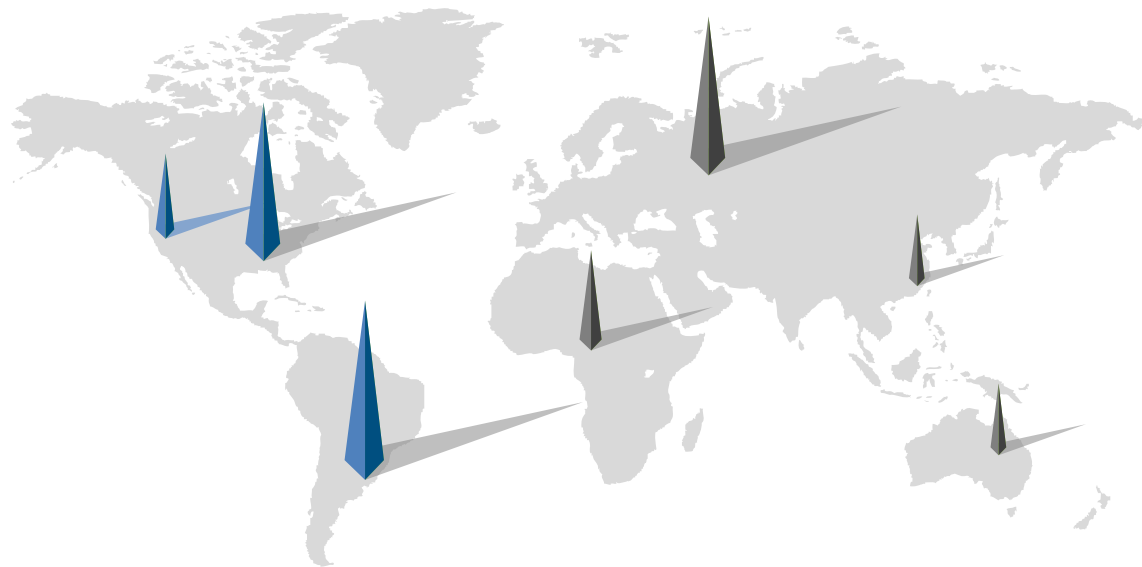
Tel : +86 - 755 - 27653939

Fax : +86 - 755 - 27653206

E-mail : obu@szlamp.net

Add : 6 Lanjing North Road, Pingshan
District, Shenzhen 518118 China

WEB: <http://www.szlamp.net/>



Head of sales

Contacto: lawrence

E-mail : lawrence@szlamp.net



Website



LinkedIn



YouTube



Facebook