

Program Timer

PW-6242B



Program Timer

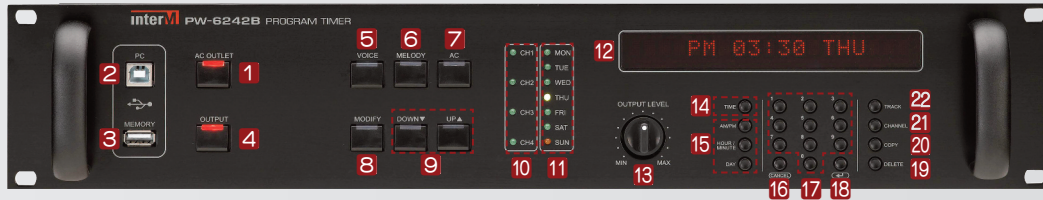
PW-6242B



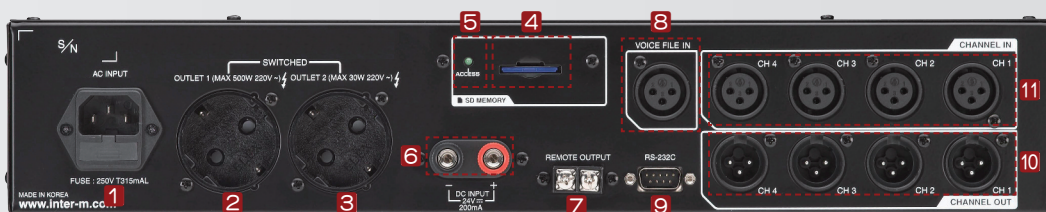
PW-6242B is a program timer device that users can set a certain date and time to perform a scheduled broadcast in 6000 system. A user can upload or download the files in PC to the inserted SD card by connecting a USB cable, and also can copy the sound source stored in the USB memory to the SD card. In addition, scheduler set up can be easily done through a management program by connecting PC.

- **Considering user convenience**
 - For the convenience of timer program input and use, we made it for user to operate easily by separating digit button & multi-function button.
- **Adopting large vacuum fluorescent display**
 - By adopting large Vacuum Fluorescent Display, you can verify the operation status to each function as well as various text displays at a look.
- **Programing using PC**
 - You can easily schedule via management program by connecting PC with RS-232C port.
- **Various melodies and voices output**
 - You can play various melodies and voices by interlocking SD Card mounted to this device and PV-6232A, our model.
- **Hosting using USB terminal**
 - You can download MP3 file from computer to SD Card mounted to the device by connecting USB cable or mount USB memory to save the file into internal memory through COPY function.
 - You can save 9999 melodies additionally other than 15 melodies provided initially and for storage capacity, please leave 10% of SD Card capacity (up to 32GB supported).
- **Key lock**
 - Schedule and user setting can be protected.
- **BACK-UP power**
 - Under the setting of current time, even though AC power turns off, power can be maintained for about a week of time with internal Back-Up power. Within the time which Back-Up power is maintained, even though AC power is reauthorized, there is no need to re-adjust the time.
- **Blackout measurement**
 - Separate Memory is used to prevent the data loss from blackout or other instable power.
- **Automatic return**
 - When entering schedule data not using PC but using the front button, if any button is pushed for 1 minute, it is regarded as input cancellation and it returns to normal operation status.
- **AC Power output control**
 - After connecting other equipment with AC OUTLET terminal, by turning ON/OFF AC OUTLET button in front, it enables to control ON/OFF of AC Power connected to other equipment.
- **AC Power output time control**
 - In order to prevent TIMING DELAY when interlocking with external POWER AMP, you can adjust AC Power Output Time of this device from 1 second up to 20 seconds.

FRONT/REAR PANEL

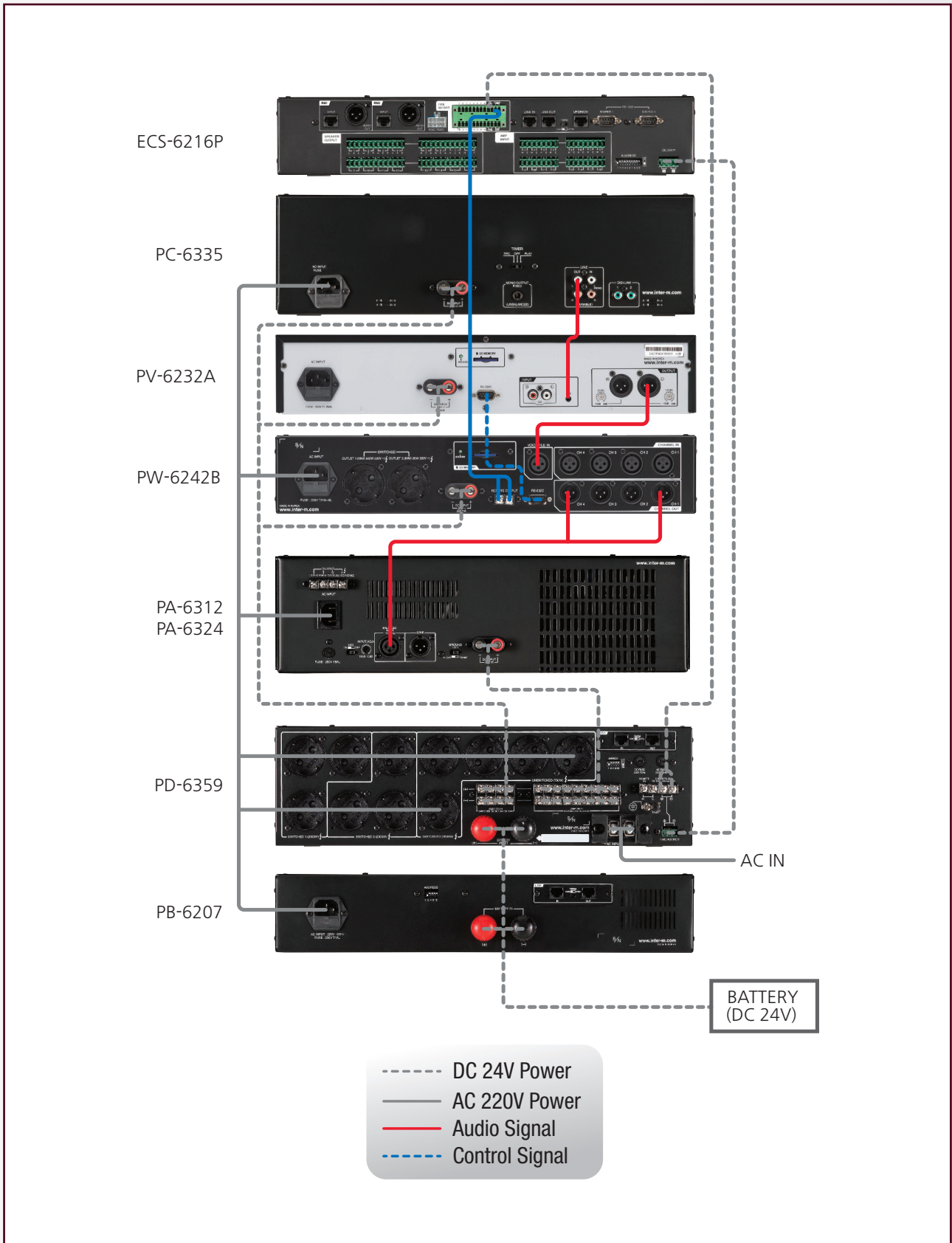


- | | |
|---|---|
| 1 AC OUTLET (POWER OUTPUT) BUTTON | 12 DISPLAY WINDOW
(VFD: VACUUM FLUORESCENT DISPLAY) |
| 2 PC CONNECTING TERMINAL (USB B TYPE) | 13 OUTPUT LEVEL VOLUME CONTROLLER |
| 3 USB MEMORY CONNECTING TERMINAL
(USB A TYPE) | 14 TIME BUTTON |
| 4 OUTPUT (MELODY OUTPUT) BUTTON | 15 AM/PM, HOUR/MIN, DAY BUTTON |
| 5 VOICE BUTTON | 16 CANCEL BUTTON |
| 6 MELODY BUTTON | 17 DIGIT BUTTON |
| 7 AC BUTTON | 18 ENTER BUTTON |
| 8 MODIFY BUTTON | 19 DELETE BUTTON |
| 9 DOWN, UP BUTTON | 20 COPY BUTTON |
| 10 OUTPUT CHANNEL DISPLAY LED | 21 CH BUTTON |
| 11 DAY DISPLAY LED | 22 TRACK BUTTON |

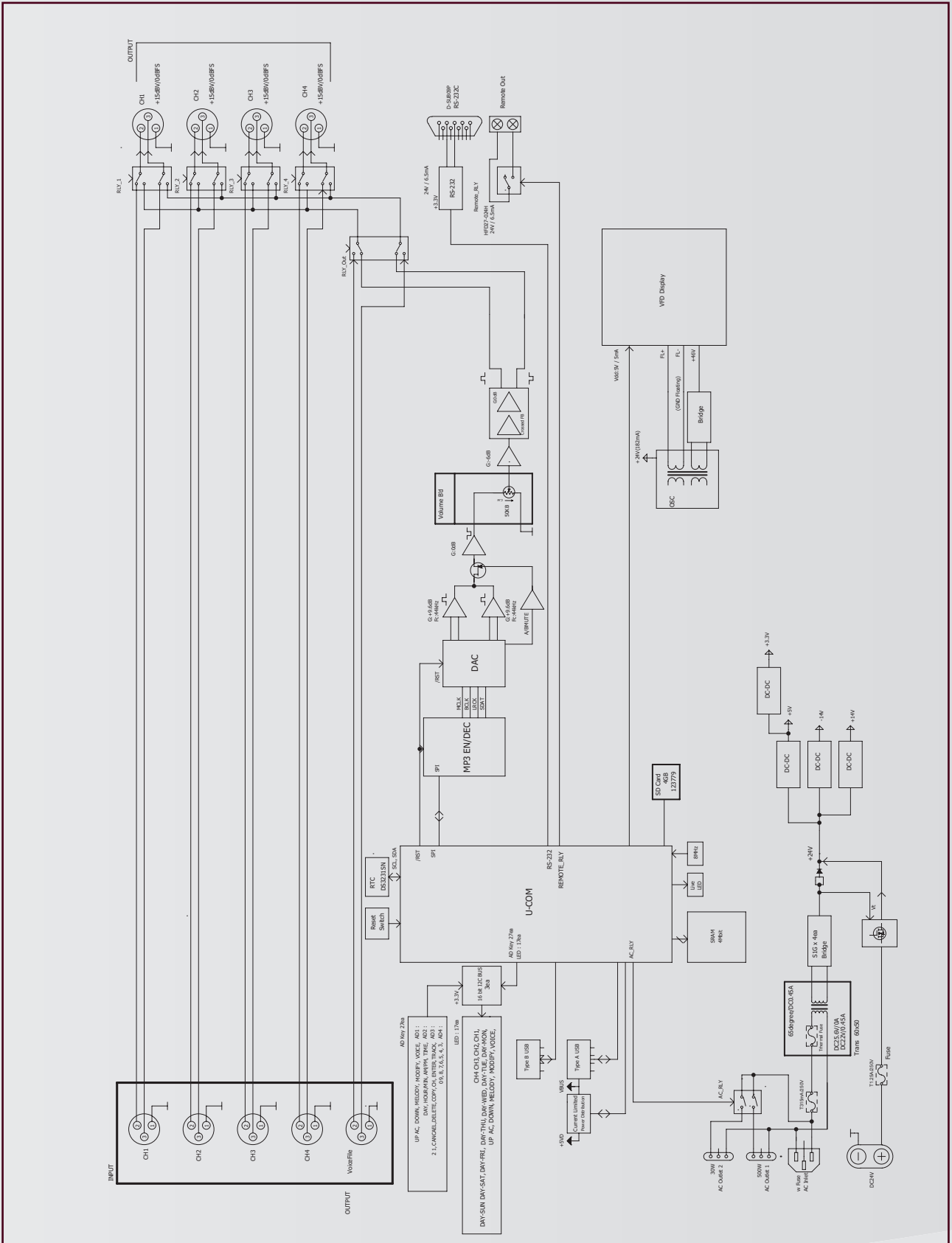


- | | |
|---|--|
| 1 AC POWER INPUT TERMINAL | 8 VOICE FILE INPUT TERMINAL
(AUDIO IN FROM VOICE FILE) |
| 2 AC POWER OUTPUT1 (AC OUTLET1) | 9 SERIAL TERMINAL (RS-232C) |
| 3 AC POWER OUTPUT2 (AC OUTLET2) | 10 CHANNEL OUTPUT TERMINAL
(CHANNEL OUT) |
| 4 SD CARD SLOT | 11 CHANNEL INPUT TERMINAL (CHANNEL IN) |
| 5 SD CARD OPERATION STATUS DISPLAY LED | |
| 6 DC POWER INPUT TERMINAL | |
| 7 REMOTE CONTROL TERMINAL
(REMOTE OUTPUT) | |

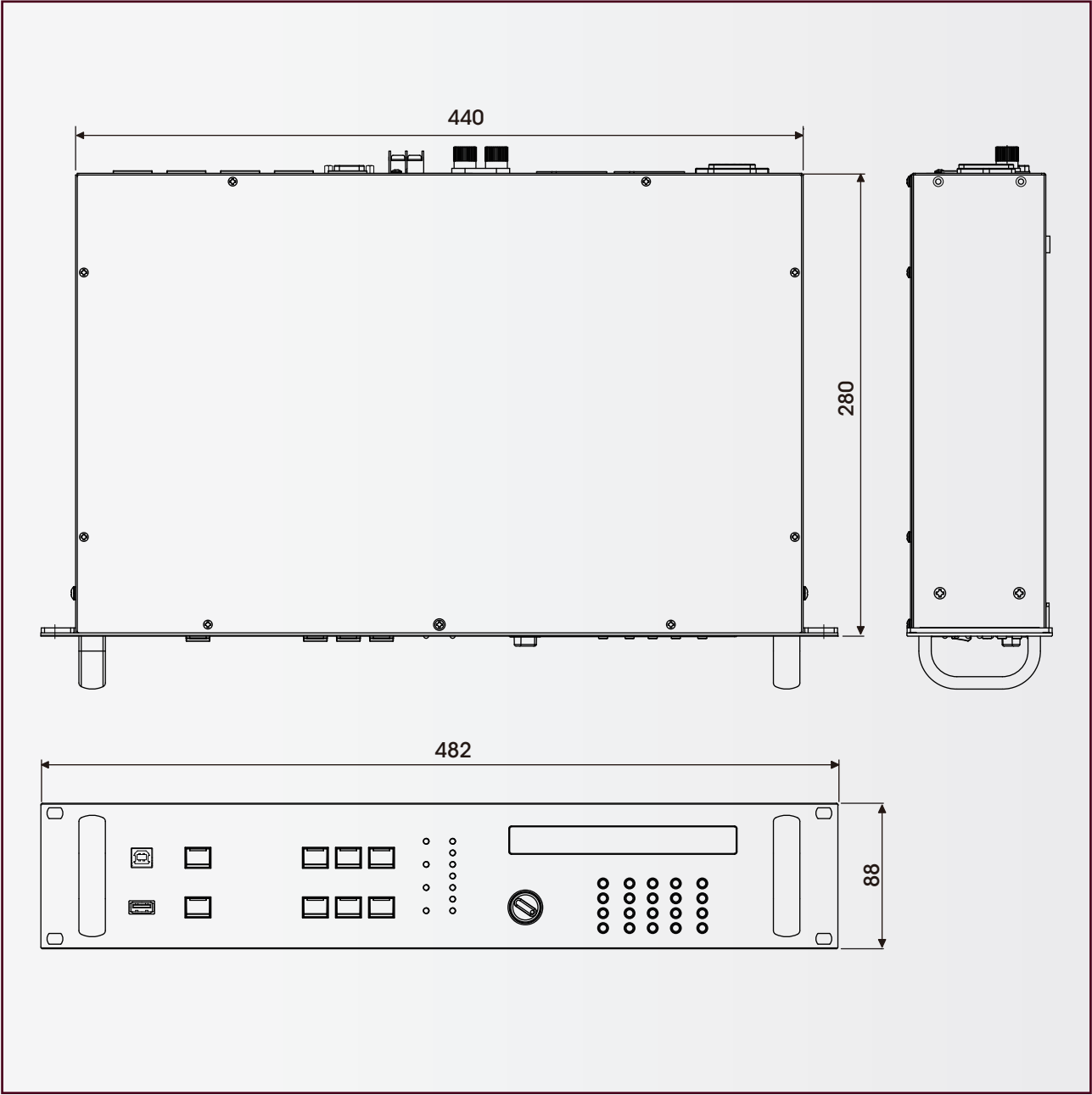
APPLICATIONS



BLOCK DIAGRAM



DRAWING



SPECIFICATIONS

	PW-6242B
Input Channel	5CH
Output Channel	4CH
Output Level (1kHz 0dBFS MP3 Play, Volume Max)	Maximum +15dBu
Frequency Response	20Hz~20kHz
S/N (20kHz LPF)	More than 100dB
THD (20kHz LPF)	Less than 0.05%
AC Power Output1	Maximum 500W
AC Power Output2	Maximum 500W
Data Retention Time	Maximum 12 days
Melody Time (TR0001~TR0015) Total 15 melodies - 247 seconds	TR no.1-2 sec, TR no.2-3 sec, TR no.3-3 sec, TR no.4-5 sec, TR no.5-5 sec, TR no.6-7 sec, TR no.7-7 sec, TR no.8-10 sec, TR no.9-10 sec, TR no.10-15 sec, TR no.11-20 sec, TR no.12-30 sec, TR no.13-30 sec, TR no.14-40 sec, TR no.15-60 sec
Operating Temperature	-10°C~+40°C
Power Source	AC 220-240V, 50/60Hz, DC 24V
Power Consumption	1000W
Weight (set)	4.57kg/10lb
Dimensions (set)	482(W)×88(H)×280(D)mm/19(W)×3.5(H)×11(D)in

* Design and specification are subject to be changed for the improvement of product quality without pre notice.

※ Caution: This device is for business (class A) and is completed in Electromagnetic Compatibility Registration.
Hope Seller or User be cautious for this point and this device should be used at area other than home.



Inter-M Corp. (IMK)

719, Dobong-ro, Dobong-gu, Seoul, Korea
Overseas Sales Team

Tel_ +82-2-2289-8141~7 Fax_ +82-2-2289-8149 E-mail_ overseas@inter-m.com

www.inter-m.com