

Audio Matrix Controller

PX-6216



OVERVIEW

The PX-6216 is the heart of the system 6000. DSP based 16 x 8 digital audio matrix is PC configured, controlled and monitored. Designed to provide professional quality audio and intelligibility with CD quality performance, the PX-6216 provides desired intelligibility required for mass notification. MIC/LINE Inputs with 7 Band EQ , Mute Control, Input/output volume control and mixing. The PX-6216 is PC controlled via Inter-M?s MS-6800 custom system control software.

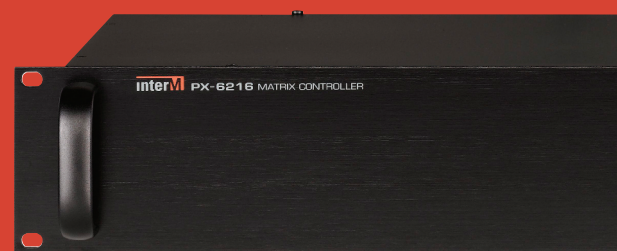
FEATURES

- DSP based 16 x 8 digital audio matrix
- 7 Band EQ
- 6 preset and control
- 4 Remote mic ports expandable up to 32 Remote paging station
- 8 mic / line inputs (2 with phantom power)
- 2 unbalanced line inputs
- External source control
- 8 balanced audio outputs
- Superior S/N
- Good Dynamic range no Compression
- System offers cost efficient SR and Paging Solution
- Supports full Stereo Sound

SPECIFICATIONS

		PX-6216
Rated Output		0dBV (Balanced)
Input Sensitivity	EM, TIMER, RM	-10dBV/20kΩ (Balanced)
	BGM 1~8 LINE	-10dBV/3kΩ (Balanced)
	BGM 1~8 MIC	-50dBV/3kΩ (Balanced)
	BGM 9,10 LINE	-10dBV/20kΩ (Unbalanced)
Frequency Response	±3dB	20Hz~20kHz
Total Harmonic Distortion	LINE	Less than 0.01%
	MIC	Less than 0.1%
Signal to Noise Ratio (A-weight Filter)	LINE	Better than 85dB
	MIC	Better than 60dB
Maximum S/N	LINE	Better than 100dB (+8dBV Input)
Phantom MIC Power	BGM 1,2	DC 24V
Priority		EM>TIMER>RM1>RM2>RM3>RM4>BGM
Communication Interface Standard	LINK IN/OUT	RS-485 (Max. Distance 1km)
	RM	RS-422 (Max. Distance 1km)
	SOURCE	RS-232 (Max. Distance 12m)
Operation Temperature		-10°C ~ +40°C / 14°F~104°F
Power Source		DC 24V, 1A
Weight (SET)		4.3kg / 9.5lbs
Dimensions (SET)		482(W) x 88(H) x 280(D)mm / 19(W)x3.5(H)x11(D)in

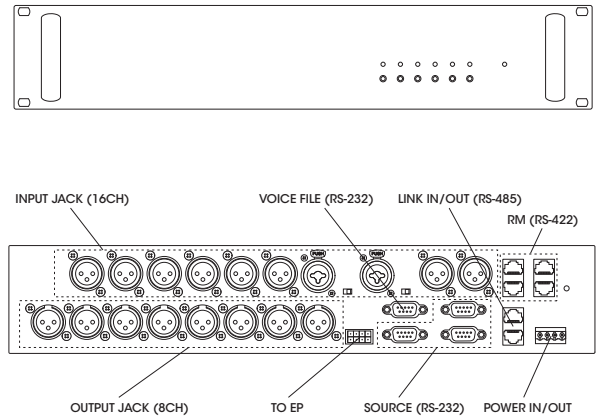
* Specifications and design are subject to change without notice.



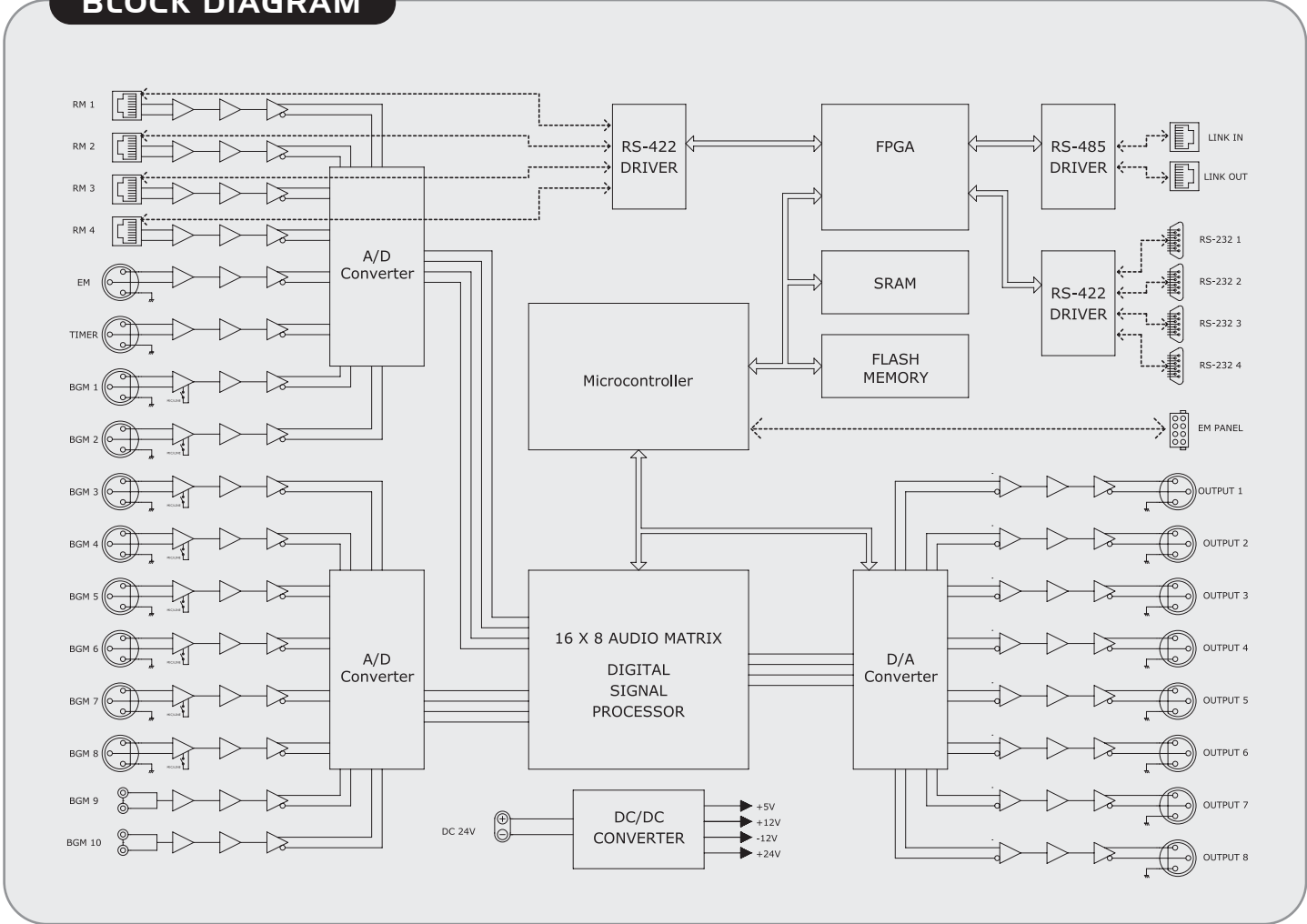
APPLICATION

Our technology can be found in schools, hospitals, malls, campus, transportation, correctional facilities and a variety of commercial and industrial applications.

- * Education facilities
(Elementary / high school / College /University / Training Institute, etc)
- * Commercial establishments
(Department stores, Shopping centers, multiplex cinemas, hospitals, etc.)
- * Public facilities
(Government offices, transportation, stations, terminal, exhibition hall, factory, resorts, etc.)



BLOCK DIAGRAM



Inter-M Corporation

- Office : 653-5 BANGHAK-DONG, DOBONG-GU, SEOUL, KOREA
 - Tel : +82-2-2289-8140~8, Fax : +82-2-2289-8149
 - Home page: <http://www.inter-m.com>, E-mail: overseas@inter-m.com

Inter-M Corporation (USA)

- Office : 14730 E. FIRESTONE BLVD #312 LA MIRADA, CA 90638
 - Tel : +1-714-523-1870, Fax : +1-714-523-1882
 - Home Page : <http://www.inter-m.net>, E-mail : info@inter-m.net