

Remote Microphone

# RM-01



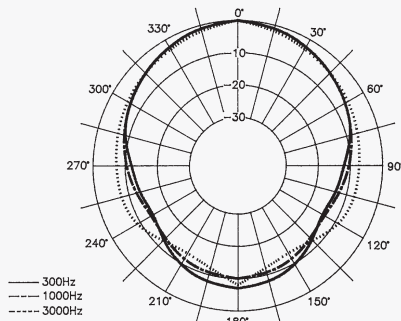
## RM-01

### OVERVIEW

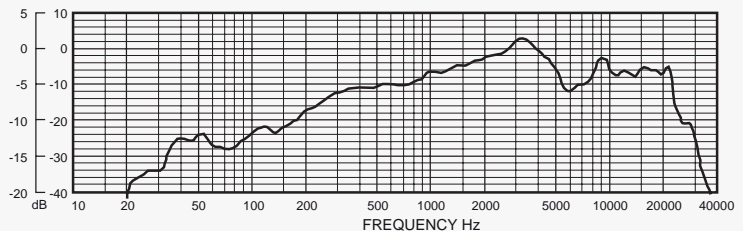
The RM-01 is an ideal remote paging microphone with push-to-talk and push-to-chime control. It features a unidirectional dynamic microphone with a 14" gooseneck. The microphone has a frequency range of 60 Hz to 18 kHz with an impedance of 400  $\Omega$  and a sensitivity of -75db. The stand is of heavy diecast-zinc construction to provide stability and minimize noise caused by the operator touching the stand.

### FEATURES

- ① Unidirectional Dynamic Microphone
- ① 14" Gooseneck
- ① Frequency response 60 Hz to 18 kHz
- ① Heavy diecast-zinc construction base
- ① Mic On/Off Switch
- ① Remote Chime Switch
- ① Sensitivity -75 dB  $\pm$  3 dB(0 dB=1 V/ $\mu$  bar@1 kHz)
- ① Impedance 400  $\Omega$



POLAR PATTERN



RESPONSE

### SPECIFICATIONS

	RM-01
TYPE	Dynamic Microphone
POLAR PATTERN	UNIDIRECTIONAL
SENSITIVITY (0 dB=1 V/Pa at 1 kHz)	-75 $\pm$ 3 dB
IMPEDANCE	400 $\Omega$
FREQUENCY RESPONSE	60 Hz~18 kHz
WEIGHT(SET)	1.4 kg/3 lbs
DIMENSIONS(SET)	90(W) $\times$ 45(H) $\times$ 133(D) mm/3.5(W) $\times$ 1.7(H) $\times$ 5.2(H) in

## NAME OF GOOSE NECK ASS'Y



**1 WIND SCREEN**

**2 UNIT**

This unit which range is from 60Hz to 16kHz can make sound.

**3 UNIT BASE**

This base settles unit, and made of aluminium ware to protect goose neck not to be lower.

**4 GOOSE NECK**

This goose neck can adjust the direct of unit without moving stand.

**5 CONNECTOR HOLDER**

This case is in order to connect stand to connector.

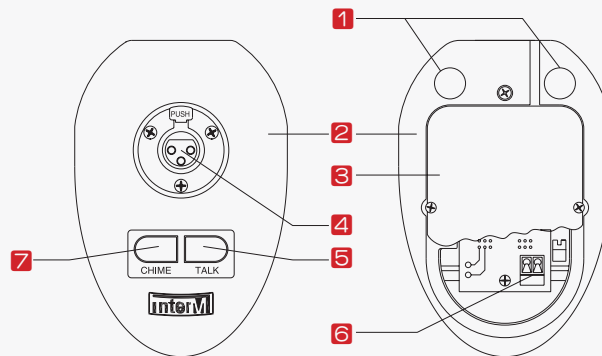
**6 3P CONNECTOR**

XL-R connector of stand.

**7 WRENCH BOLT**

This screw solidifies mounting between goose neck and connector holder.

## NAME OF STAND ASS'Y



**1 RUBBER FOOT**

This rubber foot of stand avoid sliding on the glass or table.

**2 STAND**

This stand made of heavy Zn diecasting which can minimize touch noise.

**3 STAND COVER**

**4 RECEPTACLE**

Input signal through 3p connector of goose neck becomes sound at this part of stand ass'y

**5 TALK SWITCH**

After press talk switch, the microphone does work and press again is off.

**6 TERMINAL BLOCK**

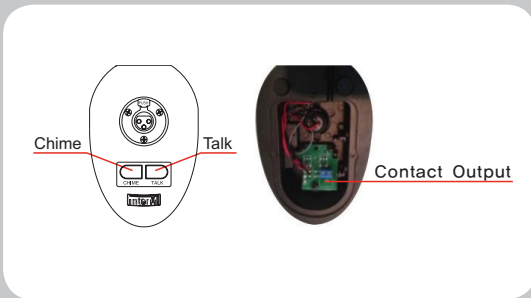
This block is connected with remote chime. For connecting remote chime, after open stand cover connect it with  $\ominus$  driver.

**7 CHIME SWITCH**

If the chime appliance is connected with the terminal block, can produce sound.

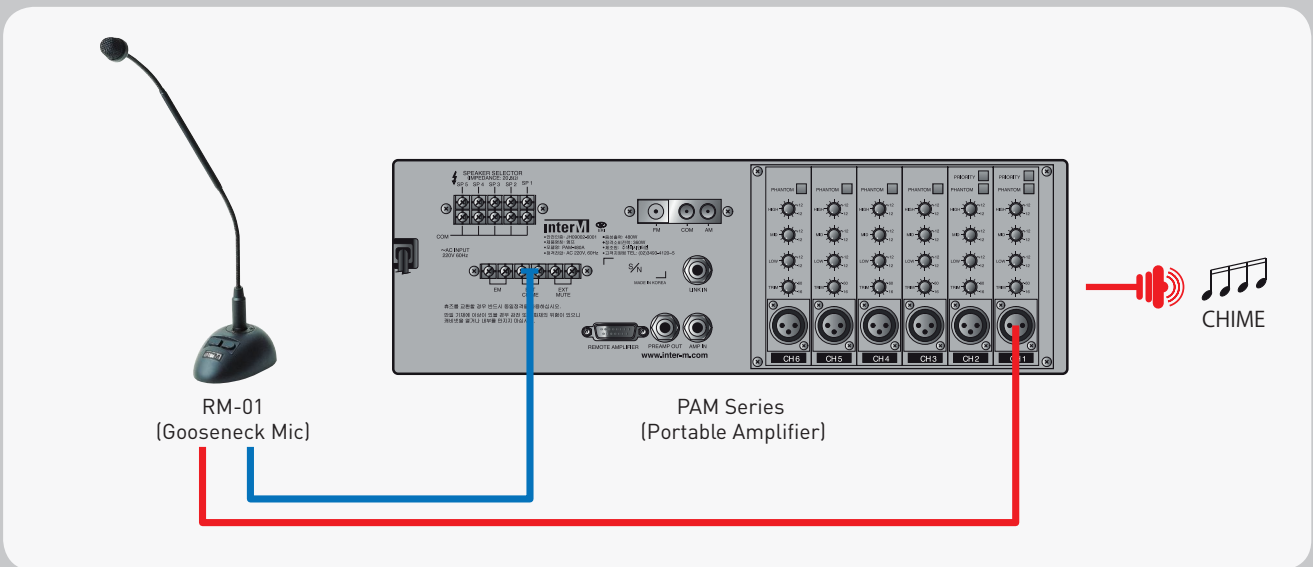
# Remote Microphone

## CONNECTION FOR REMOTE CHIME

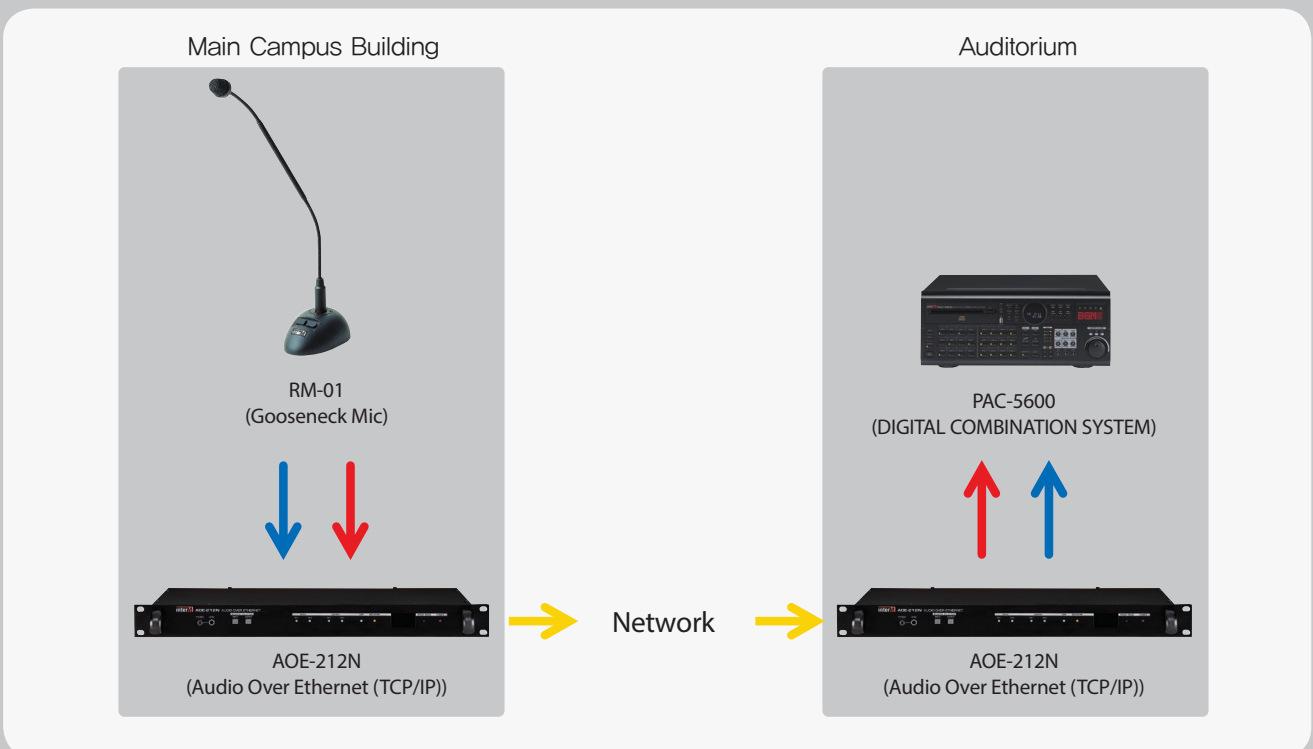


After opening the cover of the stand bottom, connect the Receiver or the Remote Chime for the system to the 2P terminal block.

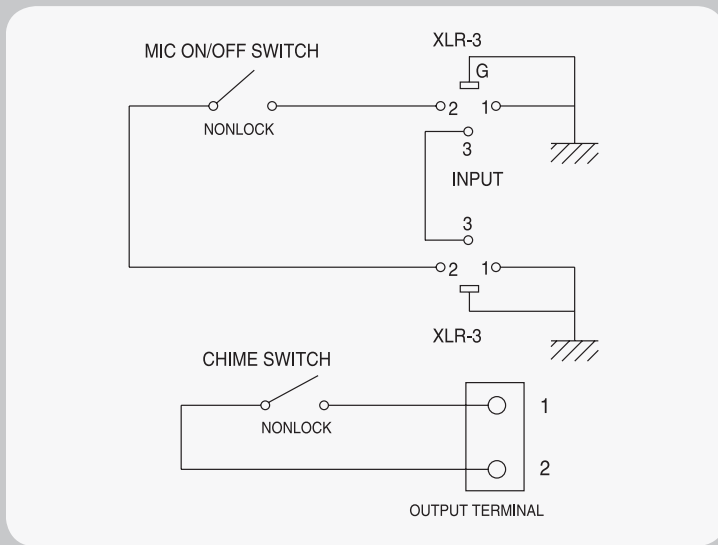
## APPLICATION 1



## APPLICATION 2



## BLOCKDIAGRAM



## COMPARATIVE TABLE



RM-01



RMC-01

### RM-01

- Moving Coil Dynamic Microphone
- Remote Chime Switch
- MIC On/Off Switch
- Sold separately  
(MIC : MC-01/BASE : RM-01BS)

### RMC-01

- Electret Condenser Microphone
- Remote Chime Switch
- MIC On/Off Switch
- Sold separately  
(MIC : CMC-01/BASE : RMC-01BS)

	RM-01	RMC-01
TYPE	Dynamic Mic	Condenser Mic
POLAR PATTERN	UNIDIRECTIONAL	
SENSITIVITY (0 dB=1 V/Pa at 1 kHz)	-75 dB ±3 dB	-47 dB ±3 dB
IMPEDANCE	400 Ω	680 Ω
FREQUENCY RESPONSE	60 Hz~18 kHz	100 Hz~16 kHz
POWER	-	DC 1.5 V
WEIGHT(SET)	1.4 kg/3 lbs	
DIMENSIONS(SET)	90(W) × 45(H) × 133(D) mm 3.5(W) × 1.7(H) × 5.2(H) in	

Memo





**Inter-M Corp. (IMK)**

719, Dobong-ro, Dobong-gu, Seoul, Korea  
Overseas Sales Team

Tel\_ +82-2-2289-8141~7 Fax\_ +82-2-2289-8149 E-mail\_ overseas@inter-m.com

[www.inter-m.com](http://www.inter-m.com)

※ Design and specification are subject to be changed for the improvement of product quality without pre notice.

2015. 10. V4