

# Remote Microphone

# RM-01



## FEATURES

- ❖ Unidirectional Dynamic Microphone
- ❖ 14" Gooseneck
- ❖ Frequency response 100Hz to 18 kHz
- ❖ Heavy diecast-zinc construction base
- ❖ Mic On/Off Switch
- ❖ Remote Chime Switch
- ❖ Frequency response 100Hz to 18 kHz
- ❖ Sensitivity -75dB  $\pm$ 3dB (0dB=1V/ $\mu$ bar@1kHz)
- ❖ Impedance 600 ohms

## SPECIFICATIONS

	RM-01
Input Sensitivity/Impedance	-75dB $\pm$ 3dB (0dB=1V/ $\mu$ bar@1kHz), 600 $\Omega$
Frequency Response	100Hz - 18kHz
Type	Moving Coil Dynamic
Directional Characteristic	Unidirectional
Weight	1.4kg / 3.8lbs.
Dimensions	90(W) x 45(H) x 133(D)mm / 3.5(W) x 1.8(H) x 5.2(D) in

\* Specifications and design are subject to change without notice.

## OVERVIEW

The RM-01 is an ideal remote paging microphone with push-to-talk and push-to-chime control. It features a unidirectional dynamic microphone with a 14" gooseneck. The microphone has a frequency range of 100Hz to 18 kHz with an impedance of 600 ohms and a sensitivity of -75db. The stand is of heavy diecast-zinc construction to provide stability and minimize noise caused by the operator touching the stand.

## Architects and Engineers Specifications

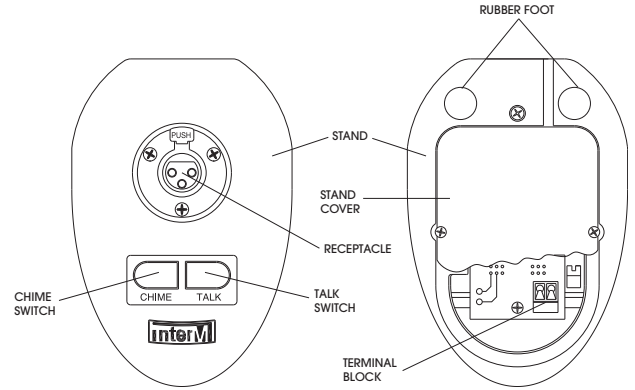
The remote paging microphone shall have push-to-talk and push-to-chime switches. It shall feature a unidirectional dynamic microphone element with a 14" gooseneck extension. The stand shall be of diecast-zinc construction to provide stability and minimize noise caused by an operator touching the stand. Frequency response shall be 100Hz to 18kHz. Input sensitivity and impedance shall be -75dB  $\pm$ 3dB (0dB=1V/ $\mu$ bar@1kHz), 600 ohms. The remote paging microphone base shall measure 3.5"(90mm) wide x 1.8"(45mm) high x 5.2"(133mm) deep. The remote paging microphone shall be an Inter-M model RM-01.

REMOTE MICROPHONE

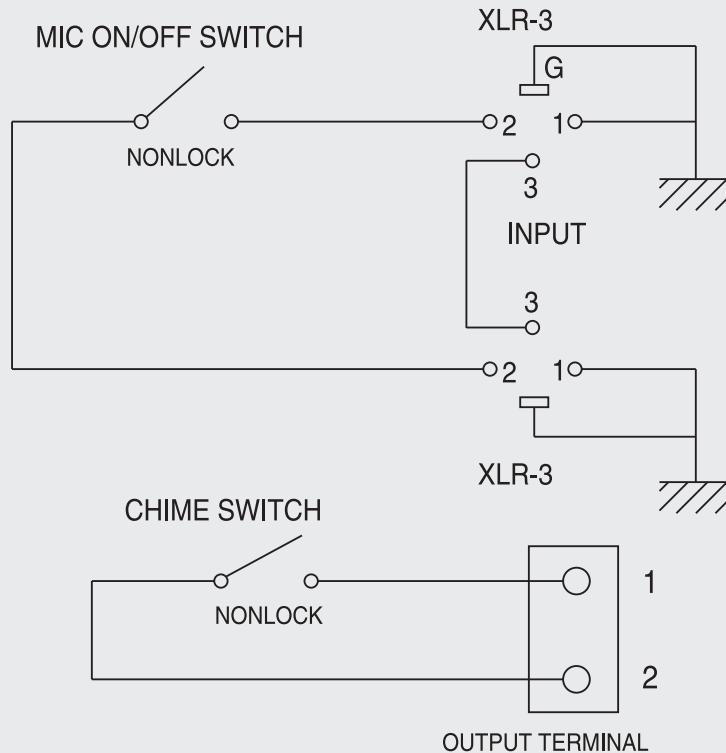


## APPLICATION

A high standard rugged construction microphone with a modern style for use in installations, where quality speech reproduction is required, ideal anywhere public address and paging is required such as airport towers, office communications, paging in department stores, restaurants, recreational facilities, schools, fast food outlets, factories etc.



## BLOCK DIAGRAM



### Inter-M Corporation

- Office : 653-5 BANGHAK-DONG, DOBONG-GU, SEOUL, KOREA  
 - Tel : +82-2-2289-8140~8, Fax : +82-2-2289-8149  
 - Home page: <http://www.inter-m.com>, E-mail: [overseas@inter-m.com](mailto:overseas@inter-m.com)

### Inter-M Corporation (USA)

- Office : 14730 E. FIRESTONE BLVD #312 LA MIRADA, CA 90638  
 - Tel : +1-714-523-1870, Fax : +1-714-523-1882  
 - Home Page : <http://www.inter-m.net>, E-mail : [info@inter-m.net](mailto:info@inter-m.net)