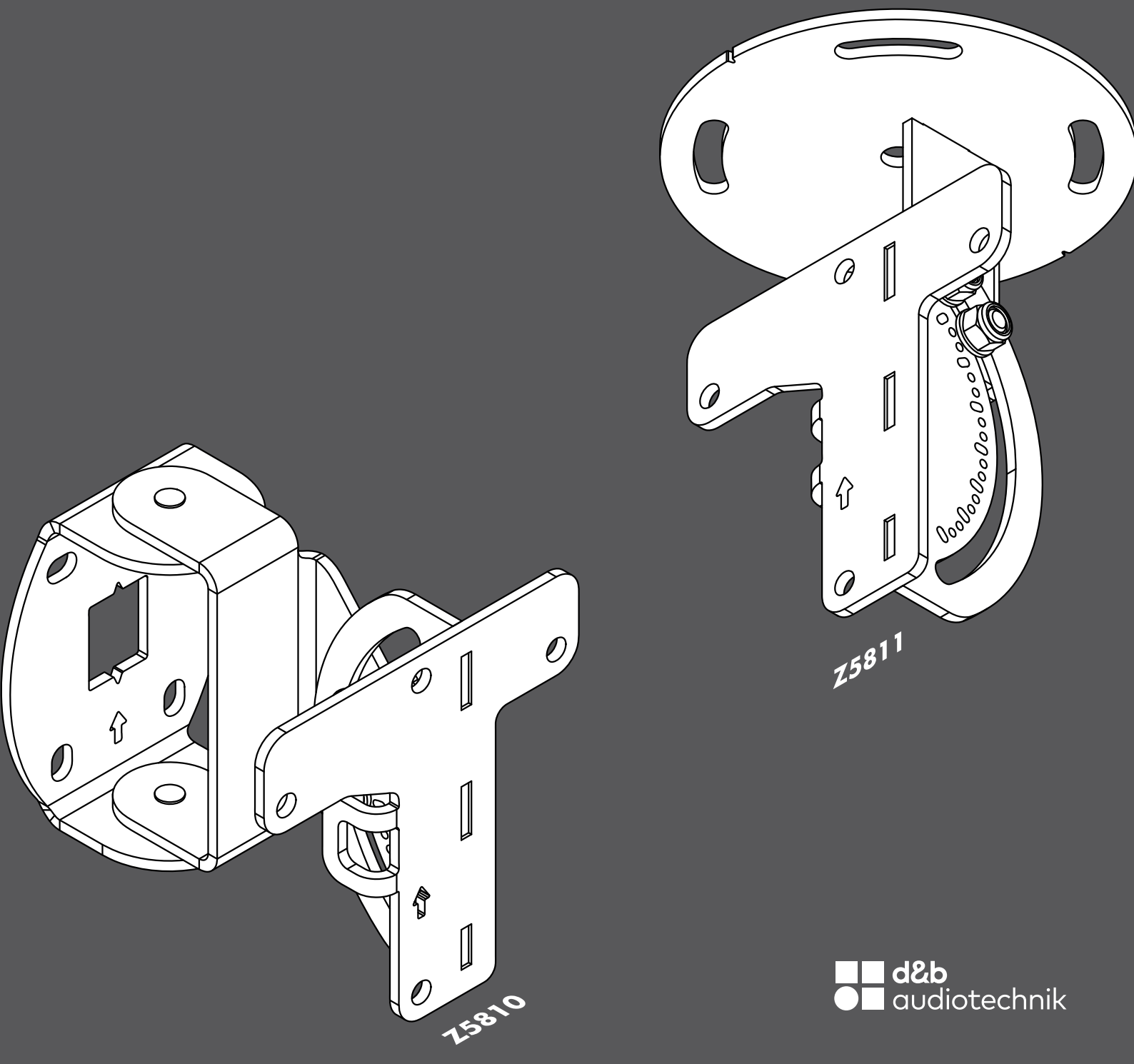


Z

Z5810/Z5811

Mounting instructions 1.1 en



Notes on document version

Version 1.1:

Initial edition.

General information

Z5810/Z5811 Mounting instructions

Version: 1.1 en, 01/2026, D2794.EN .01

Copyright © 2026 by d&b audiotechnik GmbH & Co. KG; all rights reserved.

Keep this document with the product or in a safe place so that it is available for future reference.

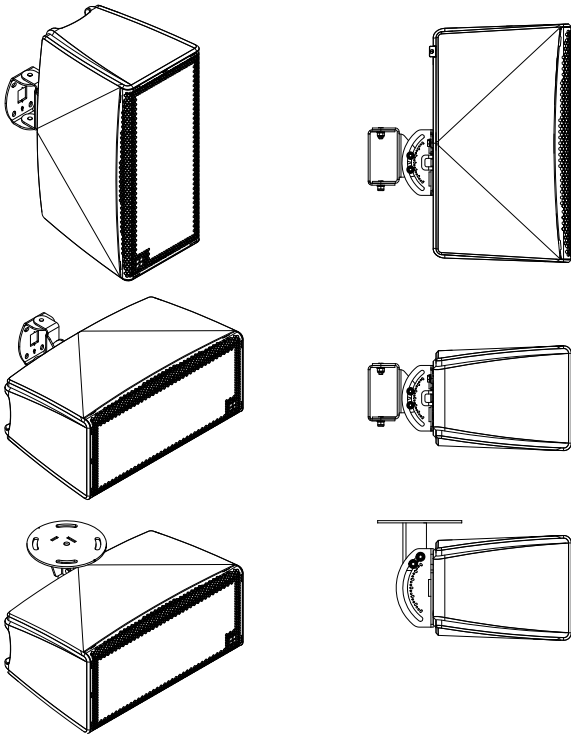
We recommend you to regularly check the d&b website for the latest version of this document.

When reselling this product, hand over this document to the new owner.

d&b audiotechnik GmbH & Co. KG
Eugen-Adolff-Str. 134, D-71522 Backnang, Germany
T +49-7191-9669-0, F +49-7191-95 00 00
docadmin@dbaudio.com, www.dbaudio.com

1	d&b U-Series Wall and Ceiling mounts	4
1.1	Intended use.....	4
1.2	Safety precautions.....	4
2	d&b Z5810 Wall mount	5
2.1	Scope of supply and weight.....	5
2.2	Mounting options and angle settings.....	5
2.3	Assembly.....	6
3	d&b Z5811 Ceiling mount	8
3.1	Scope of supply and weights.....	8
3.2	Mounting options and angle settings.....	8
3.3	Assembly.....	9
4	Manufacturer's declarations	11
4.1	Conformity of rigging components.....	11
4.2	Disposal.....	11

1 d&b U-Series Wall and Ceiling mounts



1.1 Intended use

Preliminary remark:

Throughout these mounting instructions, the application and assembly procedures are shown and described for the U5 loudspeaker as an example. The same application and assembly procedures also apply to the U3 as well as to the U3N and U5N loudspeakers.

The d&b U-Series Wall and Ceiling mounts are intended for mounting a single loudspeaker to walls or ceilings or other suitable surfaces. The mounts must only be used as described in these mounting instructions.

1.2 Safety precautions

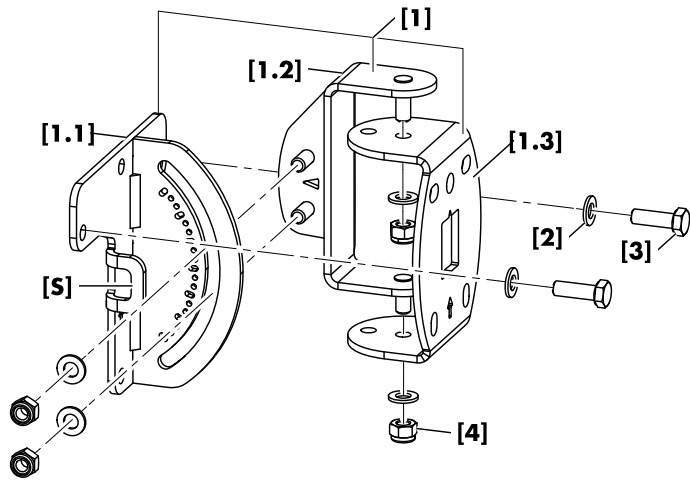
General safety

- Installation and setup should only be carried out by qualified and authorized personnel observing the valid national Rules for the Prevention of Accidents (RPA).
- It is the responsibility of the person installing the assembly to ensure that the suspension/fixing points are suitable for the intended use.
- Always carry out a visual and functional inspection of the items before use. In case there is any doubt as to the proper functioning and safety of the items, these must be withdrawn from use immediately.

Load safety information

NOTICE!

The U-Series Wall and Ceiling mounts are designed to carry the weight of a single U-Series cabinet.



2.1 Scope of supply and weight

Please verify the shipment for completeness and proper condition of the items.

Pos.	Qty.	d&b Code	Description
[1]	1	Z5810	U-Series Wall mount Consisting of: <ul style="list-style-type: none"> ▪ Wall mount - Tilt unit [1.1] ▪ Wall mount - Pan unit [1.2] ▪ Wall mount [1.3]
Including:			
[2]	6	Q5005.001.00	U-washer 8.4
[3]	2	Q3039.003.00	Hex head bolt M8 x 16
[4]	4	Q4105.001.00	Self securing nut M8
[5]			Safety point, intended for the attachment of a secondary safety device (wire), if required.
	1	D2794.EN .01	Mounting instructions

Weight 1.3 kg (2.9 lb)

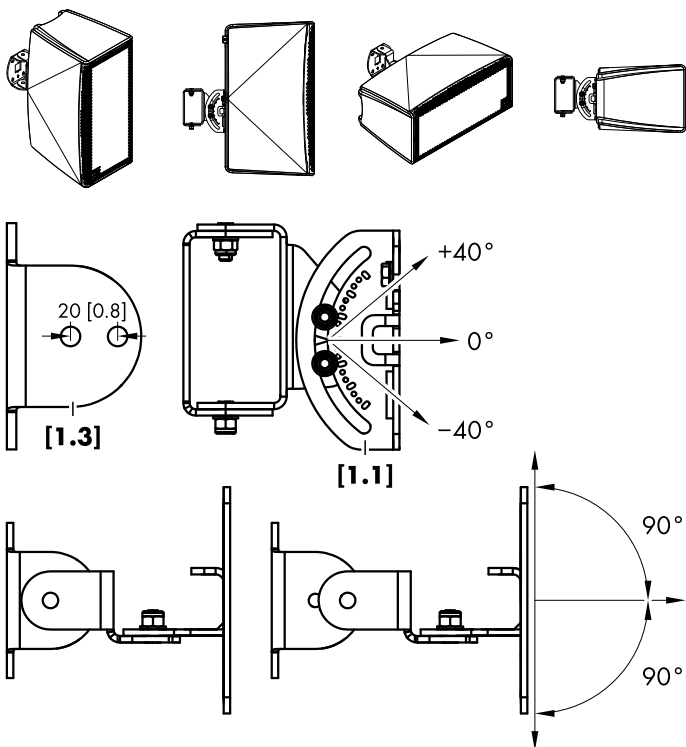
2.2 Mounting options and angle settings

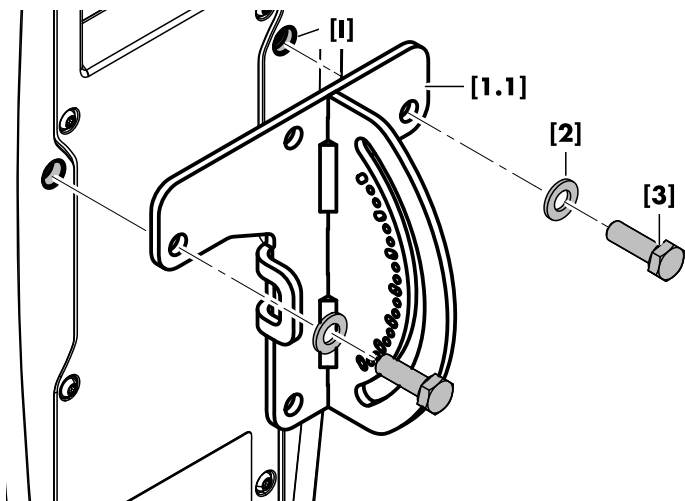
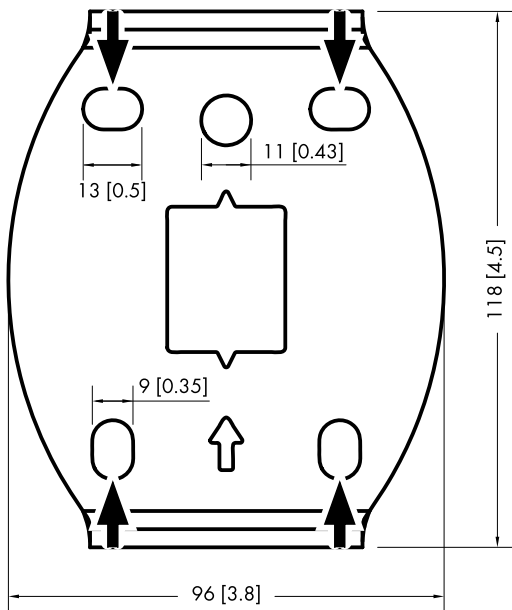
The Z5810 U-Series Wall mount allows U3/U3N or U5/U5N cabinets to be deployed either vertically (upright) or horizontally to walls or other suitable surfaces.

The Wall mount [1.3] itself provides two holes (slots) at an offset distance of 20 mm (0.8") to allow the entire assembly to be closer or farther to/from the wall.

Depending on the on-site conditions and surroundings, the cabinet can be continuously aligned vertically and horizontally within the following angle ranges:

- The vertical aiming (tilt) can be set in the range of up to 80° (+40°/-40°). For precise aiming the tilt unit [1.1] provides a scale with detents of 5°.
- The horizontal alignment (pan) can be set in the range of up to 90° in both directions.





Shown: Vertical operation

2.3 Assembly

1. Wall mount - Fixing template

NOTICE!

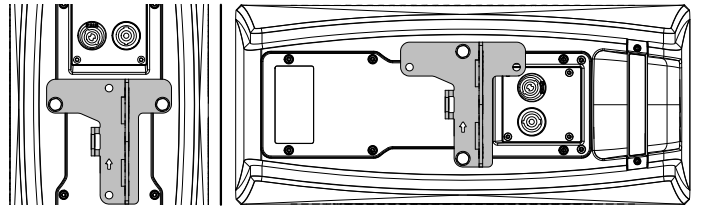
It is the responsibility of the person installing the assembly to ensure that the fixing points, fixing anchors, and screws are suitable for the intended use.

- ⇒ As a first step, attach the Wall mount **[1.3]** to its intended operating position on-site.
 - ↳ For this purpose, the Wall mount can be used as a fixing template.

2. Preparing the cabinet

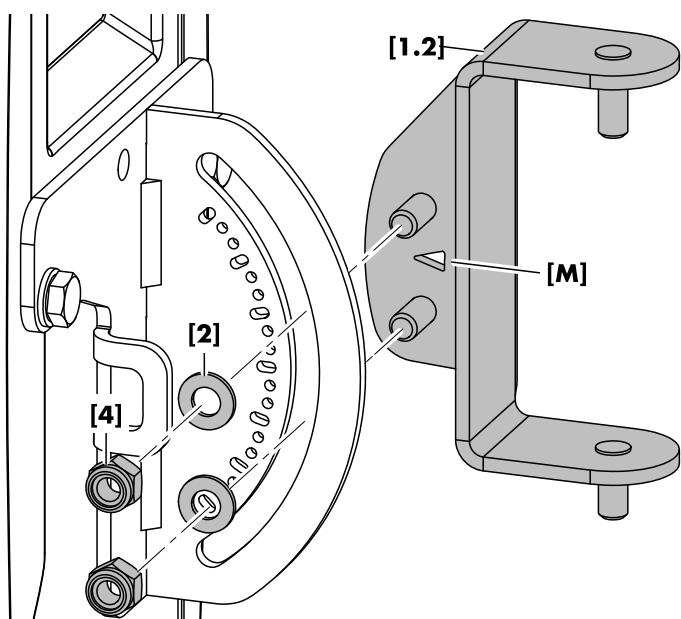
Tool required: Torque wrench #13 mm.

1. Depending on the desired orientation of the cabinet (vertical or horizontal operation), observe the direction of attachment, as shown in the graphic below.



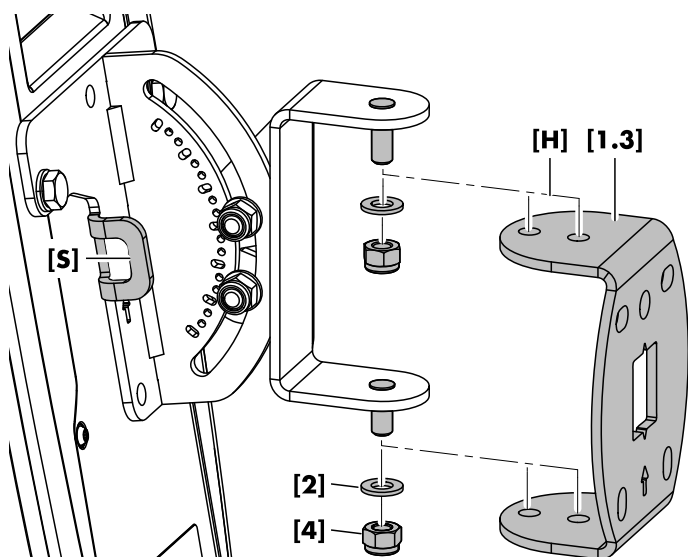
Direction of attachment: Vertical | Horizontal operation

2. Attach the tilt unit **[1.1]** to the threaded inserts **[1]** at the rear of the cabinet using the enclosed U-washers **[2]** and hex head screws **[3]**.



3. Attach the pan unit [1.2] using the enclosed U-washers [2] and self securing nuts M8 [4].
4. Preset the desired vertical tilt angle and tighten the nuts.
 - ↳ For this purpose, the tilt unit [1.1] provides a corresponding scale with detents of 5° while the pan unit [1.2] provides a related marker [M] (arrow mark).

Please also refer to ⇒ Chapter 2.2 "Mounting options and angle settings" on page 5.



3. Attaching the entire assembly to the Wall mount

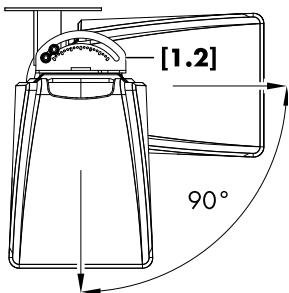
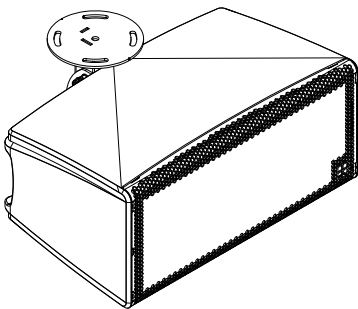
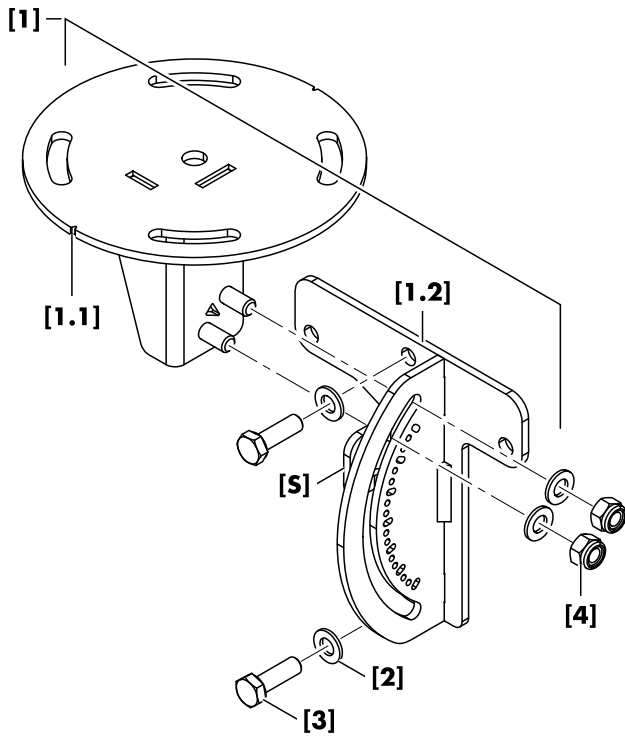
Tool required: Torque wrench #13 mm.

1. With the Wall mount [1.3] already fixed to its operating position, attach the entire assembly to the desired holes [H] (slots) of the Wall mount.
2. Attach the U-washers [2] and self securing nuts M8 [4] and slightly tighten the nuts to fix the assembly in place.
3. Set the desired horizontal orientation and tighten the nuts [4].

4. Checking the assembly

1. Finally recheck your work and ensure all screws and nuts are properly fitted and tightened.
2. If required, attach the secondary safety device to the safety point [S] of the tilt unit.

3 d&b Z5811 Ceiling mount



3.1 Scope of supply and weights

Please verify the shipment for completeness and proper condition of the items.

Pos.	Qty.	d&b Code	Description
[1]	1	Z5811	U-Series Ceiling mount Consisting of: <ul style="list-style-type: none"> ▪ Ceiling mount [1.1] ▪ Ceiling mount - Tilt unit [1.2]
Including:			
[2]	4	Q5005.001.00	U-washer 8.4
[3]	2	Q3039.003.00	Hex head bolt M8 x 16
[4]	2	Q4105.001.00	Self securing nut M8
[S]			Safety point, intended for the attachment of a secondary safety device (wire), if required.
	1	D2794.EN .01	Mounting instructions

Weight 1.2 kg (2.7 lb)

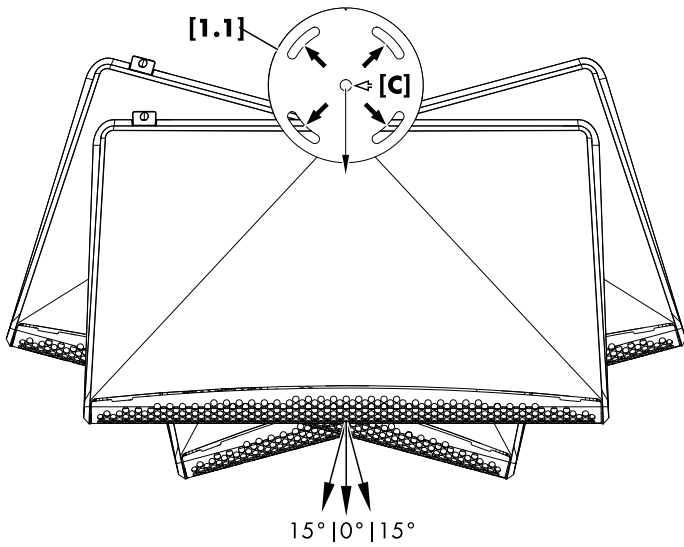
3.2 Mounting options and angle settings

The Z5810 U-Series Ceiling mount allows U3/U3N or U5/U5N cabinets to be deployed horizontally to ceilings or other suitable surfaces.

Depending on the on-site conditions and surroundings, the cabinet can be continuously aligned vertically and horizontally within the following angle ranges:

Vertical alignment

The vertical aiming (down tilt) can be set in the range of up to 90°. For precise aiming, the tilt unit [1.2] provides a scale with detents of 5°.



Horizontal alignment

The horizontal aiming is achieved with the Ceiling mount **[1.1]** itself.

For this purpose, the fixing plate is equipped with four rounded elongated holes of 9 mm (0.35") arranged in a circle which allow the horizontal aiming of the cabinet in the range of 30° (15° in each direction).

If more than 15° are required (e.g. 25°), the Ceiling mount has to be mounted with a corresponding offset (e.g. 10° related to 25°) towards the desired direction.

Alternatively, the center hole of 11 mm (0.43") **[C]** can be used to enable continuous horizontal alignment.

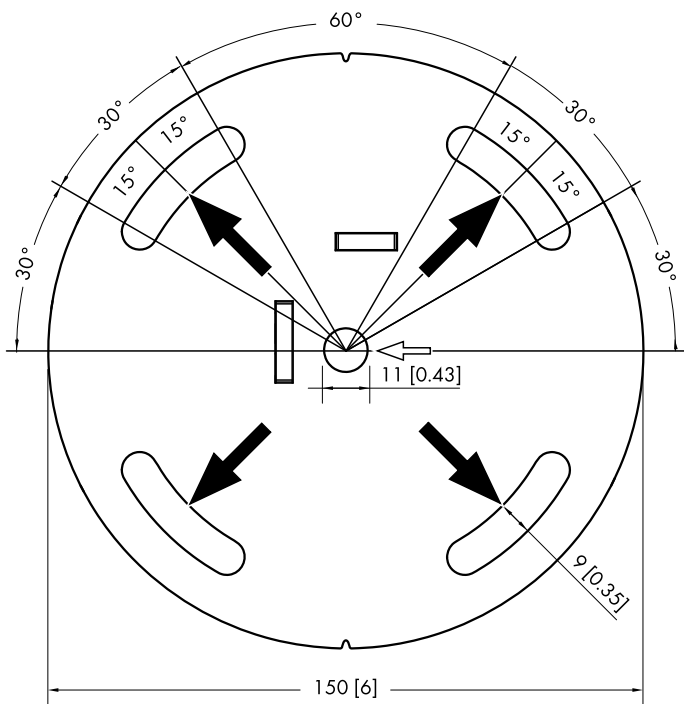
3.3 Assembly

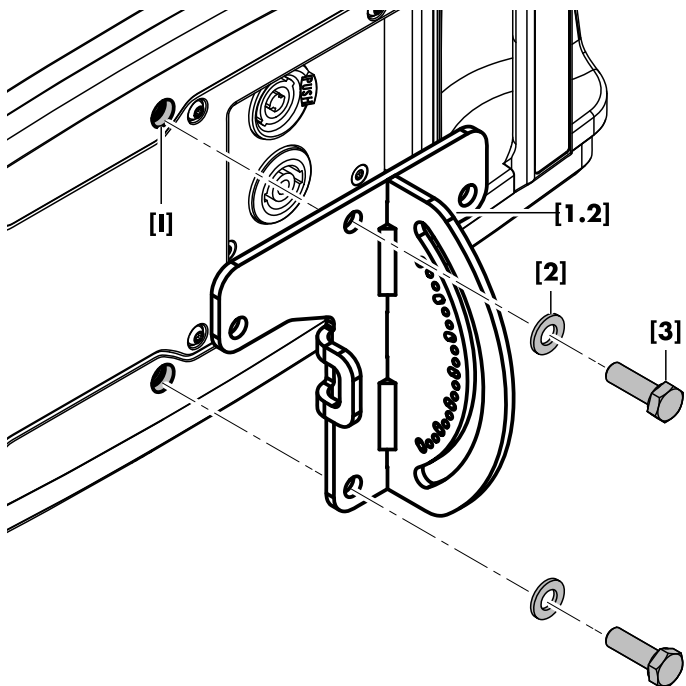
1. Ceiling mount - Fixing template

NOTICE!

It is the responsibility of the person installing the assembly to ensure that the fixing points, fixing anchors, and screws are suitable for the intended use.

- ⇒ As a first step, attach the Ceiling mount **[1.1]** to its intended operating position on-site.
 - ↳ For this purpose, the Ceiling mount can be used as a fixing template.

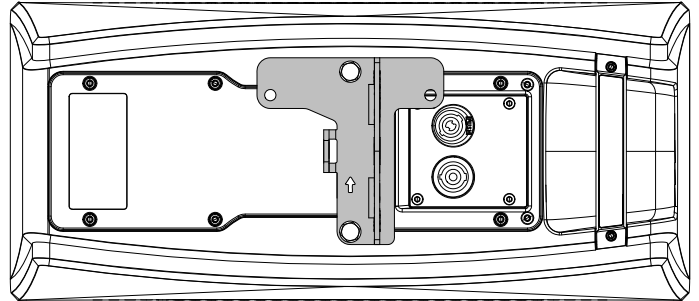




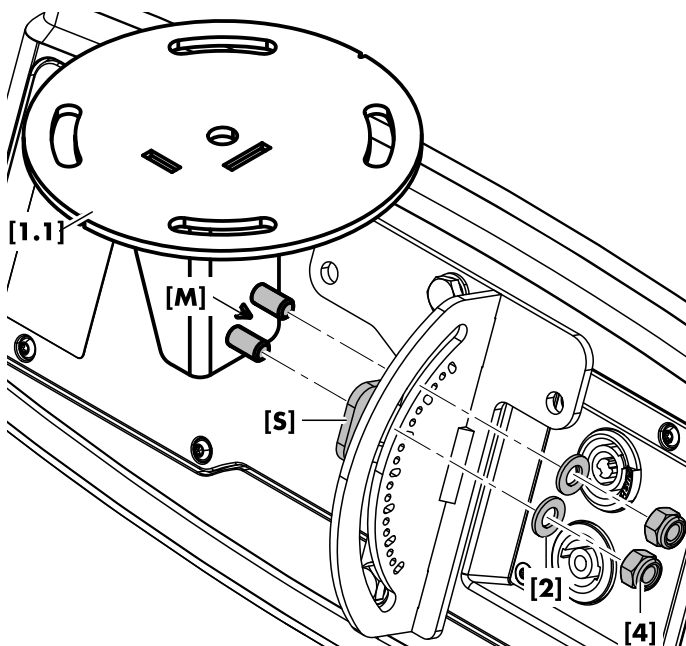
2. Preparing the cabinet

Tool required: Torque wrench #13 mm.

1. Observe the direction of attachment, as shown in the graphic below.



2. Attach the tilt unit [1.2] to the threaded inserts [1] at the rear of the cabinet using the enclosed U-washers [2] and hex head screws [3].



3. Attaching the entire assembly to the Ceiling mount

Tool required: Torque wrench #13 mm.

1. With the Ceiling mount [1.1] already fixed to its operating position, attach the entire assembly to the Ceiling mount.
2. Attach the U-washers [2] and self securing nuts M8 [4] and slightly tighten the nuts to fix the assembly in place.
3. Set the desired vertical aiming (down tilt) and tighten the nuts [4].
 - ↳ For this purpose, the tilt unit [1.2] provides a corresponding scale with detents of 5° while the Ceiling mount [1.1] provides a related marker [M] (arrow mark).

Please also refer to ⇒ Chapter 3.2 "Mounting options and angle settings" on page 8.

4. Checking the assembly

1. Finally recheck your work and ensure all screws and nuts are properly fitted and tightened.
2. If required, attach the secondary safety device to the safety point [S] of the tilt unit.



4.1 Conformity of rigging components

This declaration applies to:

- **d&b Z5810** U-Series Wall mount
- **d&b Z5811** U-Series Ceiling mount

by d&b audiotechnik GmbH & Co. KG.

All product variants are included, provided they correspond to the original technical version and have not been subject to any later design or electromechanical modifications.

We herewith declare that said products are in conformity with the provisions of the respective directives including all applicable amendments.

Detailed and applicable declarations are available on request and can be ordered from d&b or downloaded from the d&b website at www.dbaudio.com.

WEEE-Reg.-Nr. DE: 13421928

4.2 Disposal

When out of use, the rigging components must be disposed of in accordance with the national environmental regulations.

Ensure that damaged rigging components are disposed of in a way that they cannot be used again.



