

iD-PCS Series Performance Ceiling Speakers

inDESIGN's performance ceiling speaker series is a high quality premium group of products specifically designed for installation in venues that demand sonic clarity and dispersion accuracy. The all metal back can enclosures reduce unwanted spill into roof cavities while the front baffles are imbedded with magnets to secure frameless white or black grill (included) firmly in place.



Installation is a breeze with the quick wing steel mounting system. Each product in the range offers high impedance 70V and 100V multitap options as well as a low impedance 8 ohm direct bypass, via the rotary switch fitted on the front speaker baffle. The iD-PCS4 and iD-PCS6 boast a depth of only 100mm making them suitable for most roof cavity spaces.

The iD-PCS4, iD-PCS6 and iD-PCS8 are the right choice for all installations that require quality ceiling speaker products such as: houses of worship, retail shops, lecture theatres, mass transport, boardrooms, office spaces, huddle spaces, open plan spaces, education sector and the list goes on.

Each model in the range is shipped with both black and white grills – you make the choice!

Tile bridge accessories are available to purchase as optional extras.

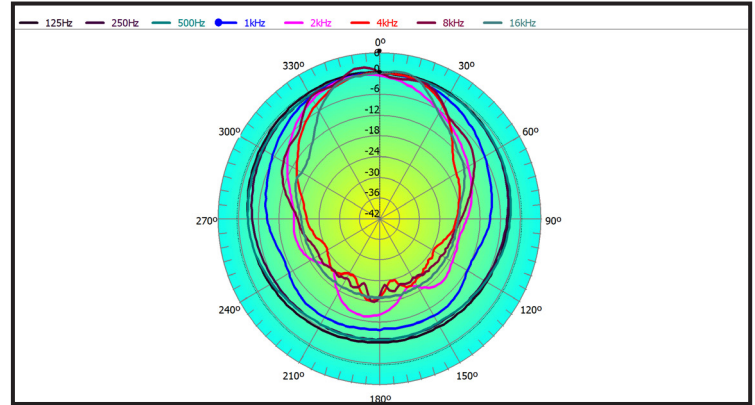
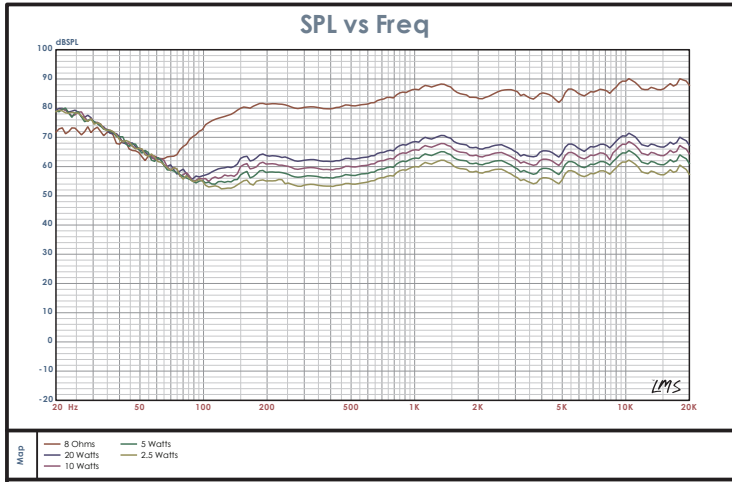


MODEL	iD-PCS4	iD-PCS6	iD-PCS8
SPL 1W @ 1m	86dB	87dB	86dB
Freq. Response ± 3dB	140Hz - 20kHz	106Hz - 20kHz	100Hz - 20kHz
Tapping Selector	Rotary Switch front baffle		
Transformer Taps 100V	2.5, 5, 10, 20 watts 8 ohm	5, 10, 20, 40 watts 8 ohm	6.25, 12.5, 25, 50 watts 8 ohm
Transformer Taps 70V	1.25, 5, 10 watts 8 ohm	2.5, 5, 10, 20 watts 8 ohm	3.12, 6.25, 12.5, 25 watts 8 ohm
Max Power Handling	40W program, 20W RMS	80W program, 40W RMS	80W program, 50W RMS
Nominal Impedance	8 ohm		
Connection	Ceramic Screw Terminal IN/OUT		
Tweeter	0.5"(13mm) PEI soft dome	1"(25mm) Titanium dome	
Mid Driver	4' (100mm) Graphite Cone with rubber surround	6.5' (165mm) Graphite Cone with rubber surround	8' (203mm) Graphite Cone with rubber surround
Speaker Cut-out Diameter	163mm	269mm	
Product Dimensions Width x Depth	195mm x 100mm	295mm x 100mm	295mm x 154mm
Product Weight	2.2kg	3.4kg	4.2kg
Certifications	CE		
Optional Accessories	Tile Bridge: iD-TB-PCS4	Tile Bridge: iD-TB-PCS6-8	

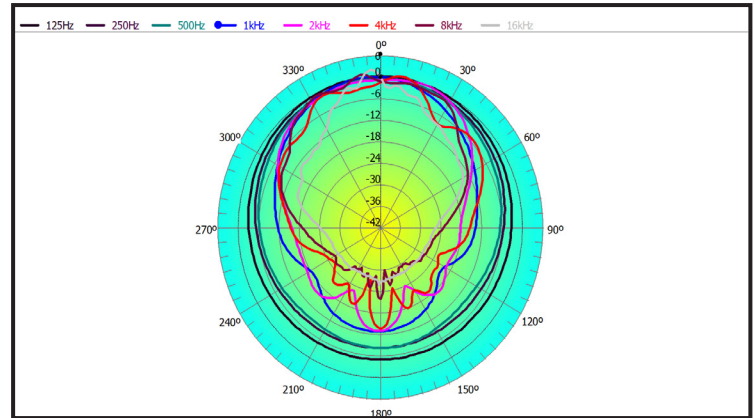
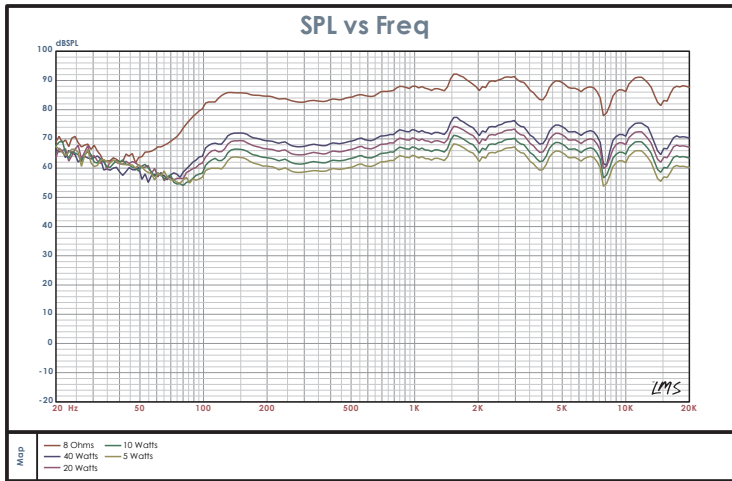
Description and specifications are correct at time of printing. Maybe subject to change without notice.

FREQUENCY RESPONSE & POLAR PLOT DIAGRAMS

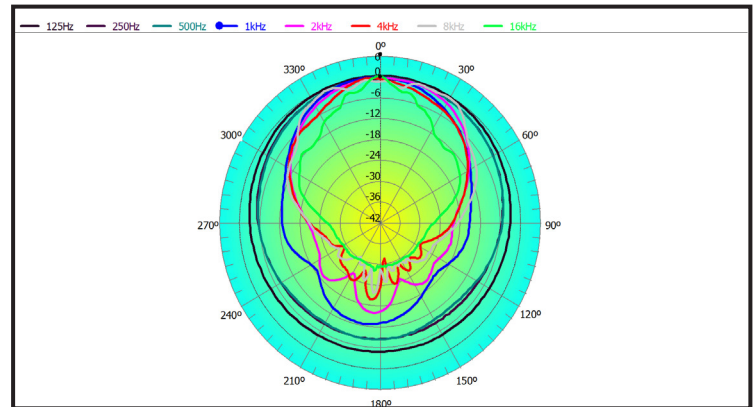
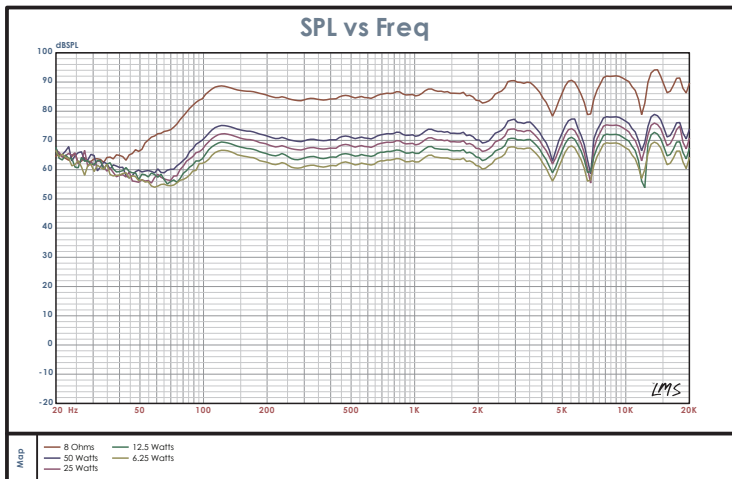
iD-PCS4



iD-PCS6

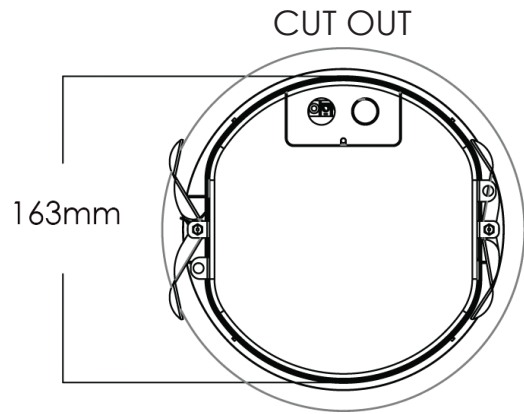
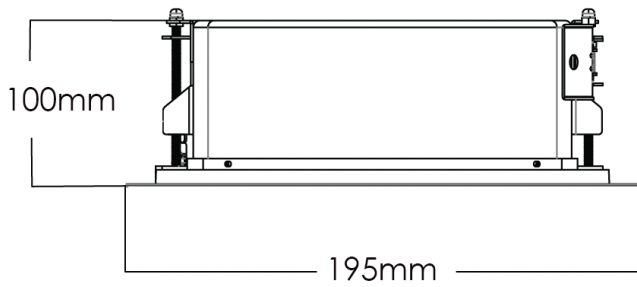


iD-PCS8

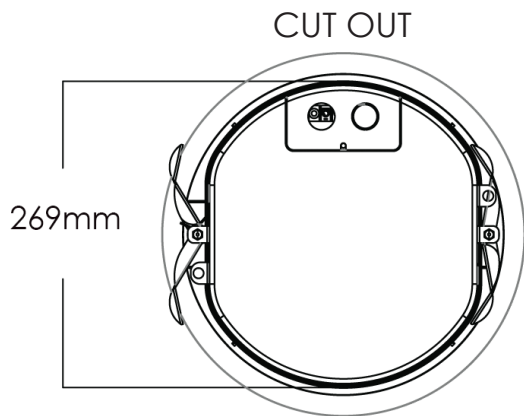
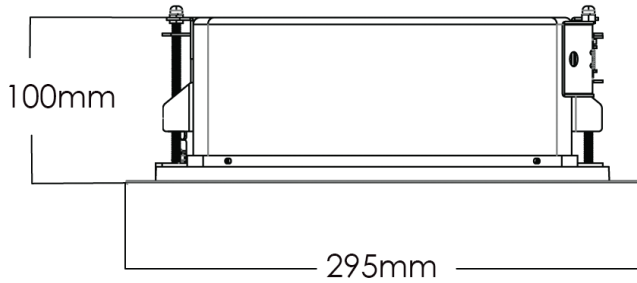


DIMENSIONS

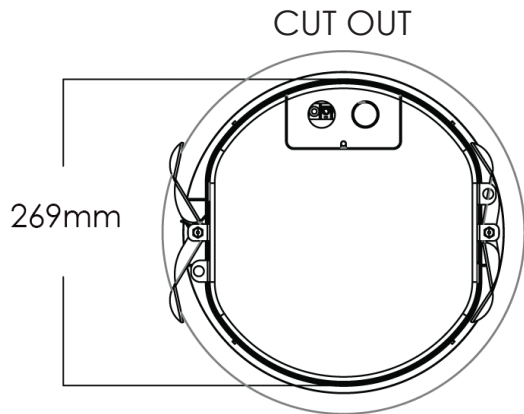
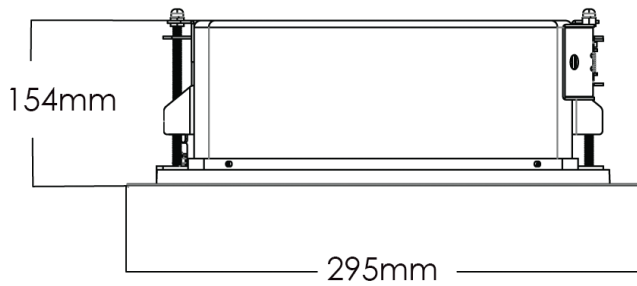
iD-PCS4



iD-PCS6

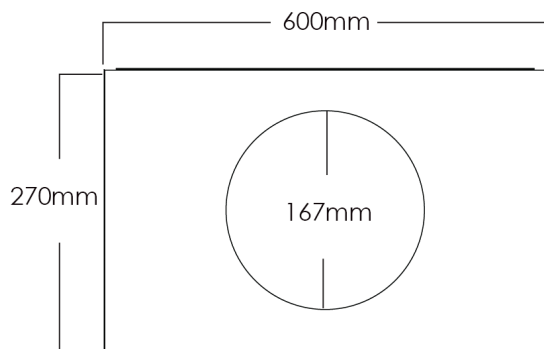


iD-PCS8



OPTIONAL ACCESSORIES

Tile Bridge for iD-PCS4: **iD-TB-PCS4**



for iD-PCS6/8: **iD-TB-PCS6-8**

